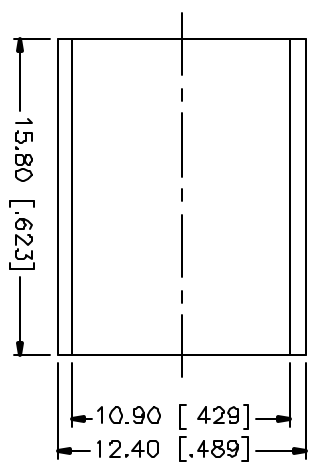
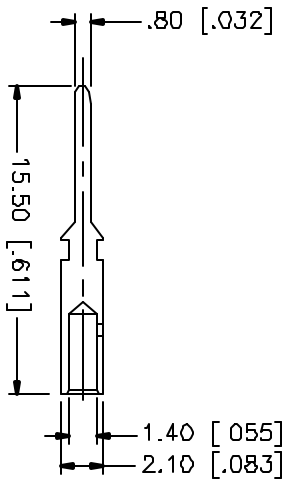
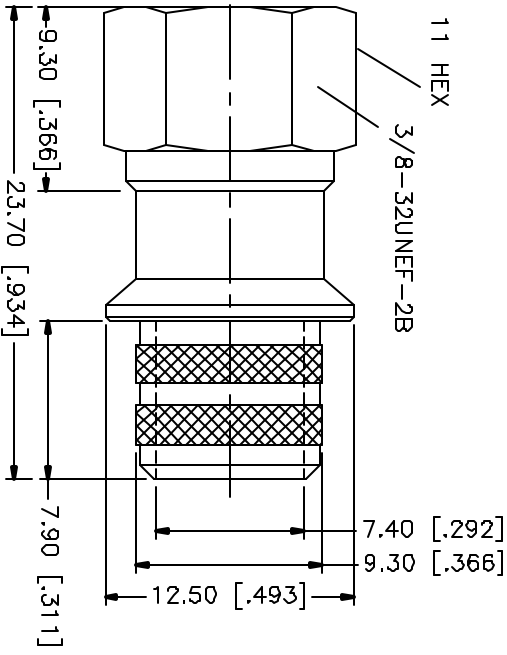
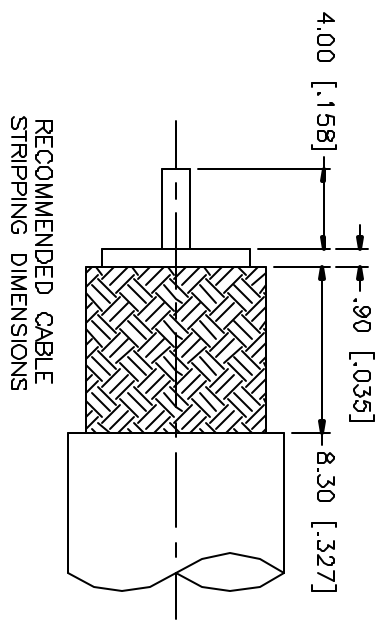



REV	DATE	DESCRIPTION
NC	02/12/01	INITIAL RELEASE



- CRIMP NOTES:
1. CRIMPED FERRULE HEX CRIMP SIZE .429"
 2. CRIMPED CONTACT PIN HEX CRIMP SIZE .068"

DESCRIPTION	MATERIAL	FINISH	UNLESS OTHERWISE SPECIFIED DIMENSIONS ARE IN MILLIMETERS DIMENSIONS IN [] ARE IN INCHES FOR CUSTOMER REFERENCE ONLY	APPROVALS	DATE	TITLE	SCALE	PART NO.	SHEET	REV.
8				DRAWN	G.R.S.	02/12/01				
7				CHECKED						
6				ISALED						
5	FERRULE	BRASS	NICKEL							
4	BARREL	BRASS	NICKEL							
3	CONTACT PIN	BRASS	GOLD							
2	INSULATOR	DELFIN	NATURAL							
1	BODY	BRASS	NICKEL							
			UNLESS OTHERWISE SPECIFIED DIMENSIONS ARE IN MILLIMETERS ARE							
			TOLERANCES FOR MILLIMETERS ARE							
			0.5-5 = ± 0.2							
			8-30 = ± 0.4							
			30-120 = ± 0.6							
			120-315 = ± 1							
			315-1000 = ± 1.6							
			1000-2000 = ± 2.4							
			DO NOT SCALE DRAWING							
				 <p>F CRIMP PLUG (FOR RG-11 CABLE) DWG. NO. 222175.DWG</p>						
				NA	222175	1	OF	1		