

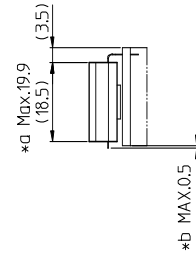
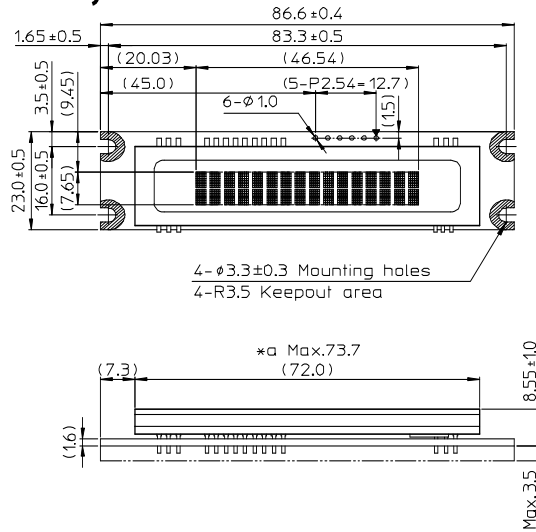
CU16024-UX3J

SIMPLIFIED DATASHEET

Features

16 character x 2 line display LCD compatible module.
Compact model of CU16025-UX6J.

Physical dimension



()Reference only

Unit:mm

*a Included extra frit glass

*b Ensure conductive / metallic surfaces do not contact pin stubs.

Get full specification



Click here to go to request form.

Specifications

Electrical Ratings

Parameter	Symbol	Min.	Typ.	Max.	Unit	Condition
Logic Input Voltage	VIH1	2.0	-	VCC	VDC	VCC-VSS= 5.0 V
SCK, STB	VIL1	VSS	-	0.8	VDC	
Logic Input Voltage	VIH2	0.7VCC	-	VCC	VDC	VCC-VSS= 5.0 V
SI/SO	VIL2	VSS	-	0.3VCC	VDC	
Power supply Voltage	VCC-VSS	4.75	5.00	5.25	VDC	-

Electrical Characteristics

Parameter	Symbol	Min.	Typ.	Max.	Unit	Condition
Logic Output Voltage	'H'	VOH	VCC-0.8	-	VDC	IOH = -4 mA
	'L'	VOL	-	0.6	VDC	IOL = 4 mA
	'H'	VOH	VCC-0.5	-	VDC	IOH = -2 mA
	'L'	VOL	-	0.5	VDC	IOL = 2 mA
Power Supply Current #1	ICC1	-	160	200	mA	Display ON
Power Supply Current #2	ICC2	-	135	170	mA	Display ON
Power Supply Current #3	ICC3	-	7	20	mA	Display OFF
Power Consumption #1		-	0.80	1.00	W	Display ON
Power Consumption #2		-	0.68	0.85	W	Display ON

#1: Brightness 200% #2: Brightness 100%

Optical Characteristics

Parameter	Value
Luminance	350 cd/m ² Min.
#1	1000 cd/m ² Typ.
#2	2000 cd/m ² Typ.
Color of illumination	Green (Blue-Green)

#1: Brightness 200% #2: Brightness 100%

Environmental Conditions

Parameter	Value
Operating Temperature	-40 ~ +85 degrees celsius
Storage Temperature	-50 ~ +85 degrees celsius
Operating Humidity	20 ~ 80% R.H. (non-condensing)
Vibration (Non operation)	10-55-10Hz, all amplitude 1mm, 30 minutes, X-Y-Z
Shock (Non operation)	980m/s ² (100G) 6ms

Physical Specifications

Parameter	Value
Number of char.	32 (16 x 2)
Matrix format	5 x 7 ANK, International
Display area	46.54 x 7.65 mm (X x Y)
Character size	2.065 x 3.569 mm (X x Y)
Character pitch	2.965 mm
Line pitch	4.081 mm
Weight	About 23 g

Interface

Synchronous Serial (CMOS)

(Synchronous Serial)

Pin No	Signal
1	VCC
2	SI/SO
3	GND
4	STB
5	SCK
6	NC

Functions

Parameter	Value
Brightness Boost function	Command compatible with HD44780 LCD controller
Display ON/OFF	Brightness Control
Cursor ON/OFF	8 User definable character font
etc.	