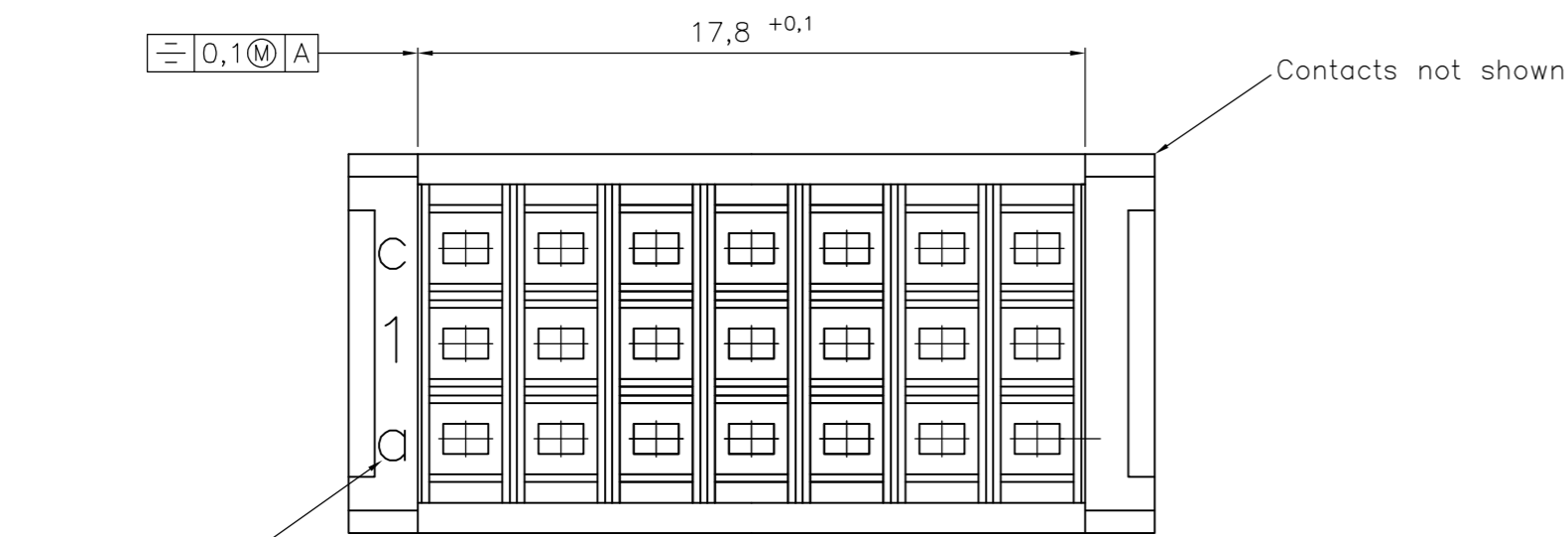
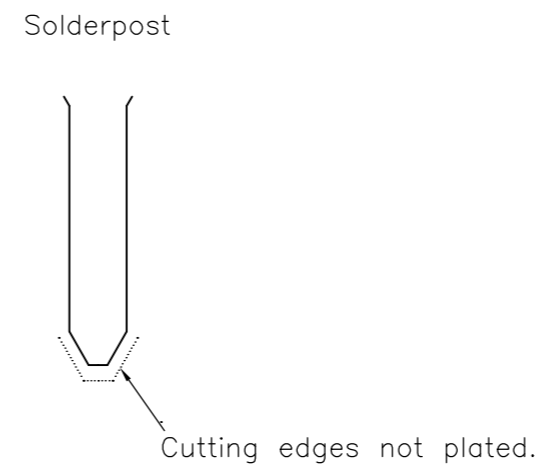


THIS DRAWING IS UNPUBLISHED. RELEASED FOR PUBLICATION
 © COPYRIGHT BY TYCO ELECTRONICS CORPORATION. ALL INTERNATIONAL RIGHTS RESERVED.

LOC	DIST	REVISIONS					
		P	LTR	DESCRIPTION	DATE	DWN	APVD
H	-		A	WO 00/7012	20-07-00	-	VS
			B	SR10-0250-02	24-05-02	-	BC
			B1	ECR-09-015706	24-11-09	AEG	MKO



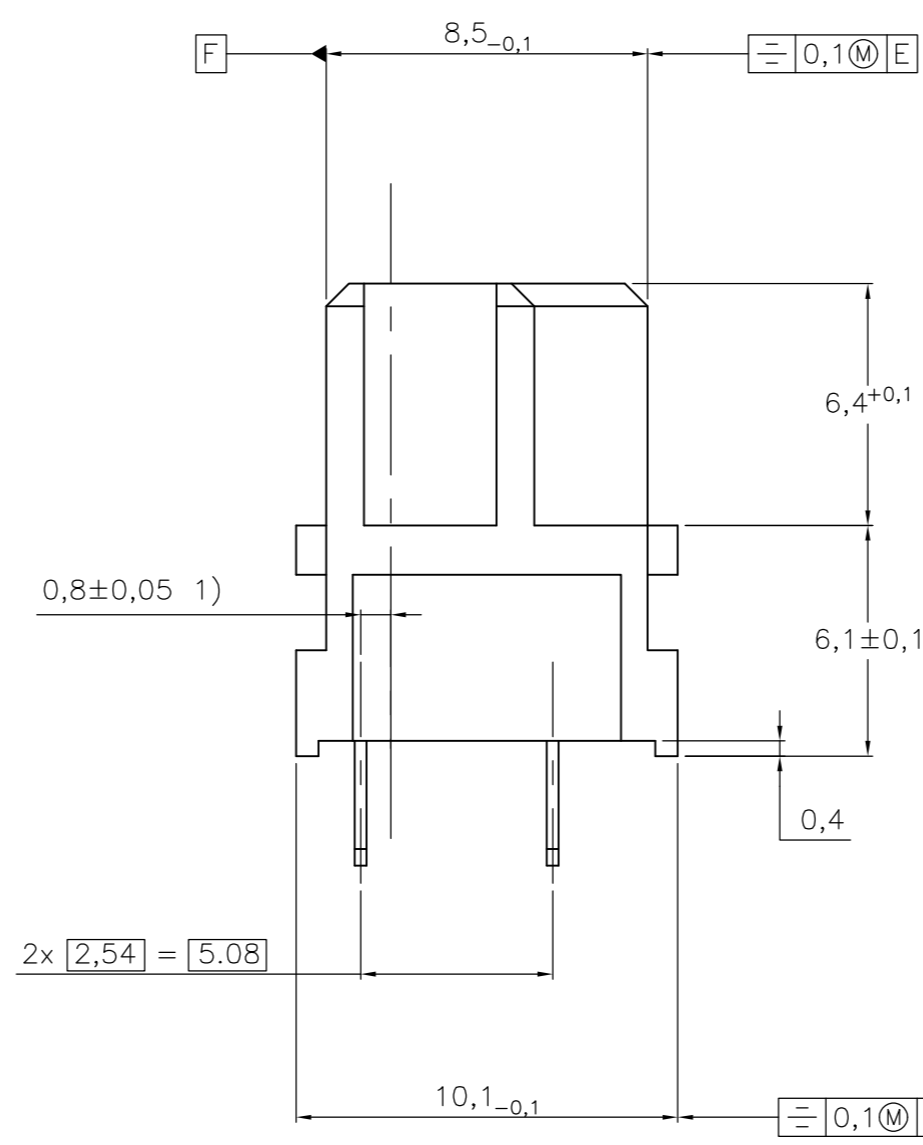
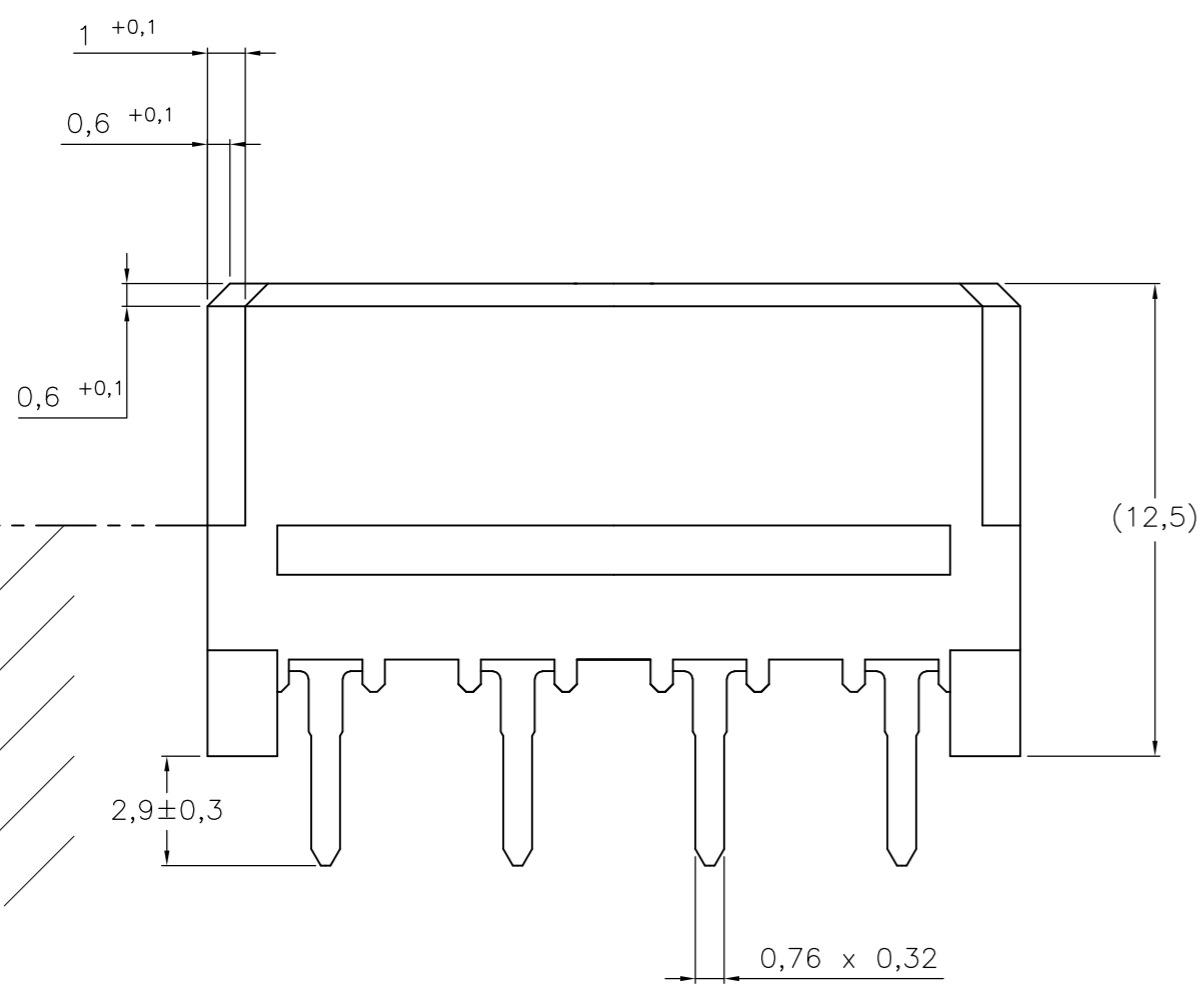
Marking E2-8
 DIN 30640;
 0.2 raised.



Loading Pattern (8 contacts)

	1	2	3	4	5	6	7
Row a	+	o	+	o	+	o	+
Row b	o	o	o	o	o	o	o
Row c	+	o	+	o	+	o	+

+ = contact
 o = no contact



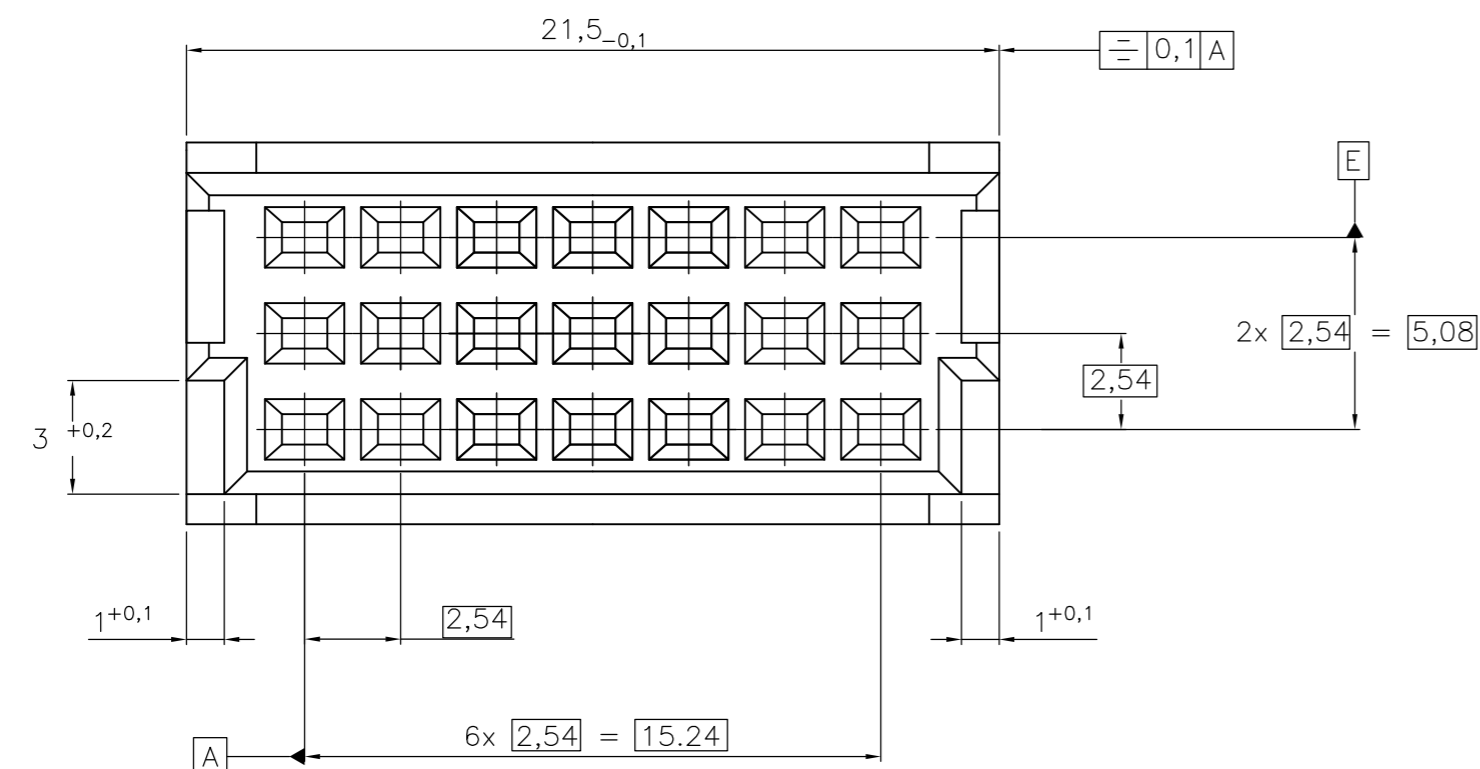
Specifications acc. IEC 603-2. Performance Level 2

Housing : PBTP 30% Glasfilled (UL94-V0)
 Pebblegrey similar RAL 7032
 Contact material : Copper Alloy
 Plating : Contact area : PdNi+Au or Au
 Termination area : Sn with flux-tight coating.

1) Center-displacement between termination- and contact-side.

Active Partnumber. Contact Tyco Electronics for other configuration availability

Old Partnumber	TE Partnumber
V42254-F2299-R1	1393657-1



THIS DRAWING IS A CONTROLLED DOCUMENT.		DWN Cuvelier	10JUN98	Tyco Electronics Corporation s-Hertogenbosch, Nederland	
DIMENSIONS: mm		CHK	-	NAME Receptacle Ass'y, Type R, 21 pos.	
TOLERANCES UNLESS OTHERWISE SPECIFIED:		APVD	-	PRODUCT SPEC PD_COM	
0 PLC ± -		APPLICATION SPEC	-	DRAWING NO A2 00779	
1 PLC ± -		WEIGHT	-	SCALE 5:1;10:1	
2 PLC ± -		CUSTOMER DRAWING	-	SHEET 1 of 1	
3 PLC ± -		FINISH	-	REV B1	
4 PLC ± -					
ANGLES ± -					
MATERIAL					