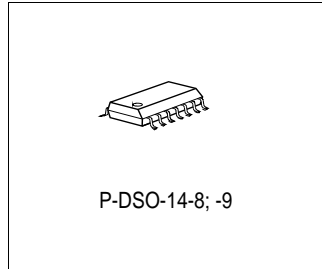


Final Data Sheet

1 Features

- Single wire transceiver for up to 33 kBit/s bus speed
- Excellent EMC performance
- High speed mode for up to 100 kBit/s bus speed
- Ambient operation range – 40 °C to 125 °C
- Supply voltage operation range 5.5 V to 28 V
- Typ. 30 µA total current consumption in sleep mode
- 4 kV ESD protection
- Short circuit and overtemperature protected
- Input bilevel feature for wake-up detection
- Output bilevel feature for wake up call
- Loss of Ground protection
- Bus dominant timeout feature
- Programmable slewrate



Type	Ordering Code	Package
TLE 6255 G	Q67006-A9352	P-DSO-14-9 (SMD)

2 Description

The TLE 6255 G is a special featured low speed transceiver for use in single wire applications.

The device is primarily designed for use in single wire CAN systems operating with various CSMA/CR (carrier sense multiple access/collision resolution) protocols such as the BOSCH Controller Area Network (CAN).

The normal communication bitrate in CAN-systems is up to 33 kBit/s. For software or diagnostic data download a high speed mode is offered that allows transmission rates up to 100 kBit/s.

With many integrated features such as slewrate controlled output, loss of ground circuit, bi-level wake-up and sleep mode for low power consumption the TLE 6255 G is optimized for use in automotive applications.

The device is based on Siemens power technology SPT® which allows bipolar and CMOS control circuitry to be integrated with DMOS power devices on the same monolithic circuitry.

Additional features like short circuit and overtemperature protection, over- and undervoltage lockout are integrated. To enhance the reliability and robustness of the TLE 6255 G the enhanced power SO-14 package is used in order to provide high thermal capacity and low thermal resistance.

3 Pin Configuration (top view)

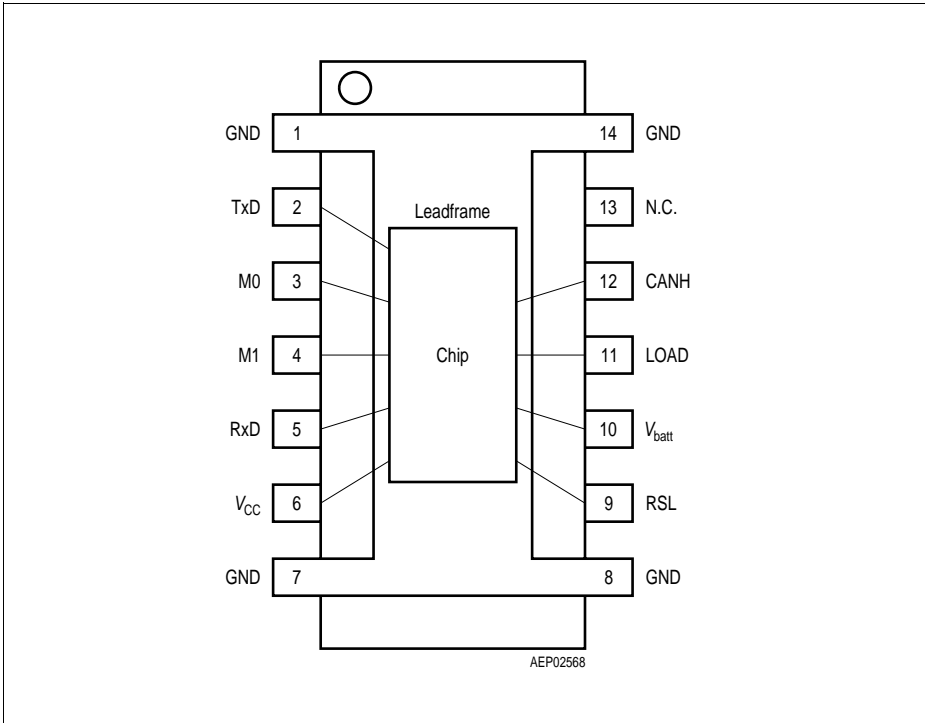


Figure 1 Pin Configuration

RxD = H indicates a bus recessive state, RxD = L a bus normal or high voltage dominant state.

4 Pin Definitions and Functions

Pin No.	Symbol	Function
1, 7, 8, 14	GND	Ground ; internally connected to leadframe
2	TxD	Transceive-Input ; low active, logic command to transmit on the single wire CAN bus; inverting: TxD = low causes CANH = dominant (high level); internal 10 kΩ pull up
3	M0	Mode-Input 0 ; to program the device operating mode; internal pull down
4	M1	Mode-Input 1 ; to program the device operating mode; internal pull down
5	RxD	Receive-Output ; open drain, logic data as sensed on the single wire CAN bus; inverting (RxD = L when CANH is dominant)
6	V _{CC}	Supply Voltage ; input for 5 V logic supply voltage
9	RSL	Slewrate-Program-Input ; an external resistor to V _{CC} on this pin is required to program the bus output slewrate
10	V _{batt}	Battery Supply Voltage ; external blocking capacitor necessary (see application circuit)
11	LOAD	Unit-Load Resistor Input ; internal termination to GND
12	CANH	CAN Bus Input/Output ; single wire bus input and output; short circuit protected
13	N.C.	not connected

5 Block Diagram

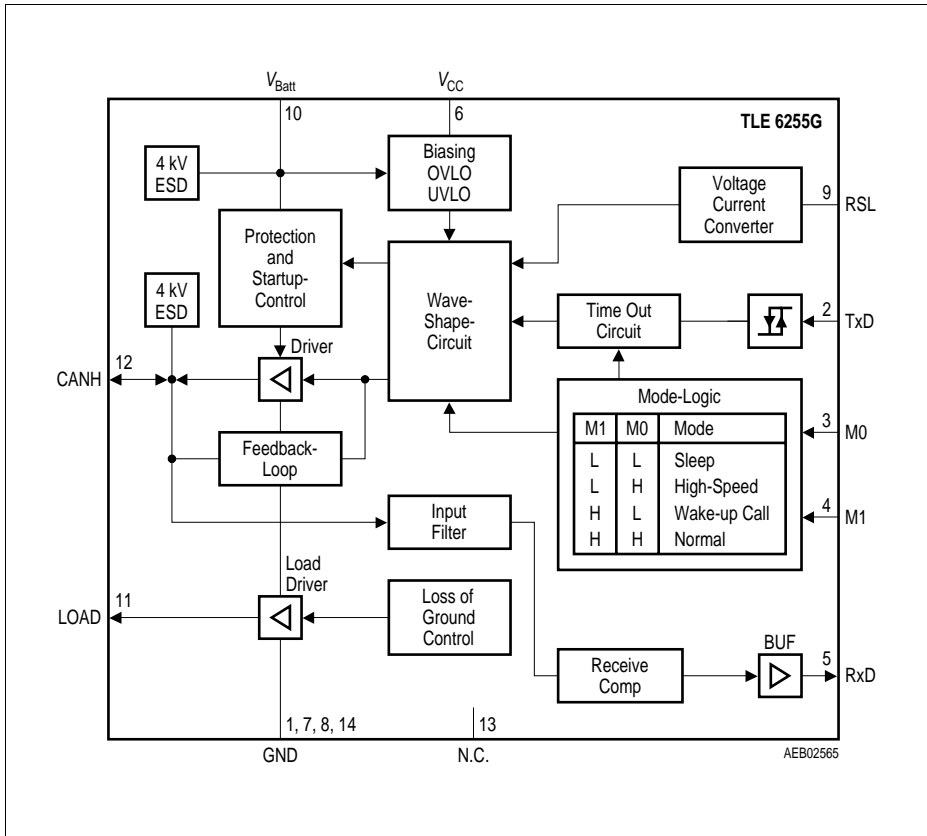


Figure 2 Block Diagram

6 Functional Description and Application Hints

6.1 Mode Control

By use of the two mode control pins M0 and M1 the transceiver can be set in the following modes.

Table 1 Transceiver Modes

#	M0	M1	Mode
1	Low	Low	Sleep mode
2	High	Low	High speed mode
3	Low	High	Wake-up call
4	High	High	Normal mode

Sleep-Mode

In the sleep mode the total current consumption of the TLE 6255 G is reduced to typically 30 μ A. Nodes not set to sleep mode can communicate without disturbing ECUs that are already set to sleep mode. To achieve a wake-up via the CAN bus a high voltage level message (wake-up call) is necessary. Only high voltage level messages are reported to the RxD pin in sleep mode. A wake-up from sleep mode of the transceiver itself has to be done by setting the control inputs M0 and M1. If there is no modification on the mode inputs the device remains in sleep mode after the wake-up signal is removed from the bus.

The transceiver's loss of ground protection circuit connection to ground is not interrupted when in the sleep mode.

High-Speed-Mode

The high-speed mode can be used for software or diagnostic data download with bitrates up to 100 kBit/s. Therefore the slewrate control feature is deactivated to achieve the required timings. Further an additional external resistor of 100 Ω from CANH to GND is necessary in this mode.

Wakeup-Call Mode

In this mode the TLE 6255 G sends the message to be transmitted as a high voltage wake-up message.

The bus includes a special node wake up capability which allows normal communication to take place among some nodes while leaving the other nodes in an undisturbed sleep state. This is accomplished by controlling the level of the signal voltages such that all nodes must wake up when they receive a higher voltage message signal waveform.

Communication at the lower, normal voltage levels shall not disturb the sleeping nodes ($V_{\text{batt}} > 9 \text{ V}$).

Normal Mode

In the normal mode the TLE 6255 G sends a normal voltage message waveform on the bus. It is possible to run the transceiver up to transmission rates of 33 kBits/s in this mode.

The waveform as well as the slew rate of the rising edge (recessive to dominant transition) are controlled by the internal active wave shaping circuit to minimize EME (electromagnetic emission). For the same reason waveform trailing edge control is required to assure that high frequency content is minimized at the beginning of the downward voltage slope (dominant to recessive transition). The remaining fall time occurs after the bus is inactive with drivers off and is determined by the RC time constant of the total bus load.

6.2 Slew-Rate Control

The CANH output voltage and current is controlled by an internal waveshaping circuit. For optimized adjusting of the slew rate to the system timing, the slew rate is programmable by an external resistor connected from pin RSL to V_{CC} . **Figure 4** shows the correlation of the slew rate to the resistor R_{RSL} .

6.3 Transmitter

The TLE 6255 G contains a high current fully short circuit and overtemperature protected highside-driver (pin CANH). To minimize spectral content the CANH-output waveform is controlled.

Logic low (TxD = L) on pin TxD will command the output stage to switch to dominant high potential; TxD = H to recessive low on the bus.

To avoid the bus to be blocked by a permanent dominant TxD input signal, the TLE 6255 G incorporates a timeout feature. In case of TxD = L for longer than the internal fixed timeout the CANH output is switched off automatically. The timeout is resetted by a H-signal at TxD without a delay.

The loss of an ECU ground may cause the ECU to source current through the various ECU circuits to the communications bus instead of to the vehicle system ground. Therefore the unit-load resistor of any ECU is connected to the LOAD-pin. The TLE 6255 G incorporates a reverse protected switch from LOAD to ground potential. This switch is automatically switched off in a loss of ground state.

6.4 Receiver

In normal, high speed and wakeup-mode all data on the bus is sensed by the receive comparator and transmitted to the RxD output. In sleep mode no normal level data is detected. The receiver threshold is set to the wake-up level. So a wake-up interrupt is sent only in case of a wake-up call on the bus. An internal fixed filter improves the EMC susceptibility.

7 Absolute Maximum Ratings

Parameter	Symbol	Limit Values		Unit	Remarks
		min.	max.		

Voltages

Supply voltage	V_{batt}	- 0.3	40	V	-
CAN bus input/output voltage	V_{CANH}	- 28	28	V	-
Load voltage	V_{LOAD}	- 28	28	V	-
Logic supply voltage	V_{CC}	- 0.3	7	V	-
Logic voltages (V_{RXD} ; V_{TXD} ; V_{M0} ; V_{M1} ; V_{RSL})	V_{logic}	- 0.3	7	V	-

Currents

CAN Bus current	I_{CANH}	-	-	mA	internally limited
Load current	I_{LOAD}	-	-	mA	internally limited

ESD-Protection (Human Body Model; According to MIL STD 833 D)

Pin CANH, V_{batt}	V_{ESD}	- 4000	4000	V	-
Other pins	V_{ESD}	- 2000	2000	V	-

Temperatures

Junction temperature	T_{j}	- 40	150	°C	-
Junction temperature	T_{j}	-	175	°C	$t < 1000$ h
Junction temperature	T_{j}	-	200	°C	$t < 10$ h
Storage temperature	T_{stg}	- 50	150	°C	-

Thermal Resistances

Junction to pin	$R_{\text{thj-pin}}$	-	40	K/W	junction to pin 1
Junction ambient	$R_{\text{thj-a}}$	-	65	K/W	-

Note: Maximum ratings are absolute ratings; exceeding any one of these values may cause irreversible damage to the integrated circuit.

8 Operating Range

Parameter	Symbol	Limit Values		Unit	Remarks
		min.	max.		
Supply voltage	V_{batt}	$V_{\text{UV OFF}}$	28	V	After V_{batt} rising above $V_{\text{UV ON}}$
Supply voltage increasing	V_{batt}	- 0.3	$V_{\text{UV ON}}$	V	Outputs in tristate
Supply voltage decreasing	V_{batt}	- 0.3	$V_{\text{UV OFF}}$	V	Outputs in tristate
Logic supply voltage	V_{CC}	$V_{\text{POR OF}}$	5.5	V	After V_{CC} rising above $V_{\text{POR ON}}$
Logic supply voltage; increasing	V_{CC}	- 0.3	$V_{\text{POR ON}}$	V	Outputs in tristate
Logic supply voltage; decreasing	V_{CC}	- 0.3	$V_{\text{POR OF}}$	V	Outputs in tristate
Junction temperature	T_{j}	- 40	150	°C	-
RSL resistance	R_{RSL}	35	200	kΩ	-

Thermal Shutdown

Thermal shutdown junction temperature	T_{jSD}	150	200	°C	-
Thermal switch-on junction temperature	T_{jSO}	120	170	°C	temperature hysteresis $\Delta T = 30 \text{ K}$ (typ.)

9 Electrical Characteristics

5.5 V < V_{batt} < 16 V; 4.75 V < V_{CC} < 5.25 V; $-40\text{ }^{\circ}\text{C} < T_j < 150\text{ }^{\circ}\text{C}$; M0 = M1 = H; $R_{\text{UL}} = 9.1\text{ k}\Omega$ (connected between CANH and LOAD); $R_{\text{RSL}} = 39\text{ k}\Omega$; all voltages with respect to ground; positive current defined flowing into pin; unless otherwise specified

Parameter	Sym- bol	Limit Values			Unit	Test Condition
		min.	typ.	max.		

Current Consumption

Supply current at V_{batt} ; sleep mode	I_{batt}	–	20	40	μA	M0 = M1 = L;
Supply current at V_{CC} ; sleep mode	I_{CC}	–	10	30	μA	M0 = M1 = L;
Supply current at V_{batt}	I_{batt}	–	3	6	mA	TxD = L
Supply current at V_{batt}	I_{batt}	–	1.5	3	mA	TxD = H
Supply current at V_{batt}	I_{batt}	–	5	9	mA	TxD = L; M0 = L
Supply current at V_{batt}	I_{batt}	–	4	6	mA	TxD = H; M0 = L
Supply current at V_{CC}	I_{CC}	–	3	5	mA	TxD = H or L; M0 = H or L

Over- and Under Voltage Lockout

UV Switch ON voltage	V_{UVON}	–	5.2	5.6	V	V_{batt} increasing; $V_{\text{CC}} = 5\text{ V}$
UV Switch OFF voltage	V_{UVOFF}	4.00	4.6	5.1	V	V_{batt} decreasing; $V_{\text{CC}} = 5\text{ V}$
UV ON/OFF Hysteresis	V_{UVHY}	–	0.6	–	V	$V_{\text{UVON}} - V_{\text{UVOFF}}$
OV Switch OFF voltage	V_{OVOFF}	30	33	38	V	V_{batt} increasing
OV Switch ON voltage	V_{OVON}	28	32	36	V	V_{batt} decreasing
OV ON/OFF Hysteresis	V_{OVHY}	0.2	2	–	V	$V_{\text{OVOFF}} - V_{\text{OVON}}$

5.5 V < V_{batt} < 16 V; 4.75 V < V_{CC} < 5.25 V; $-40\text{ }^{\circ}\text{C} < T_{\text{J}} < 150\text{ }^{\circ}\text{C}$; M0 = M1 = H; $R_{\text{UL}} = 9.1\text{ k}\Omega$ (connected between CANH and LOAD); $R_{\text{RSL}} = 39\text{ k}\Omega$; all voltages with respect to ground; positive current defined flowing into pin; unless otherwise specified

Parameter	Symbol	Limit Values			Unit	Test Condition
		min.	typ.	max.		

Power ON/OFF Reset at V_{CC}

Power ON Reset voltage	V_{PORON}	4.00	4.25	4.50	V	V_{CC} increasing
Power OFF Reset voltage	V_{POROF}	3.50	3.75	4.00	V	V_{CC} decreasing
POR ON/OFF Hysteresis	V_{PORHY}	0.1	0.5	–	V	$V_{\text{PORON}} - V_{\text{POROF}}$

Transceiver Input TxD

H-input voltage threshold	V_{TxDH}	–	2.6	$0.7 \times V_{\text{CC}}$	V	–
L-input voltage threshold	V_{TxDL}	$0.3 \times V_{\text{CC}}$	2.4	–	V	–
Hysteresis of input voltage	V_{TxDHY}	50	200	500	mV	–
Pull up current	I_{TXD}	–20	–10	–5	μA	$0\text{ V} < V_{\text{TXD}} < 4\text{ V}$
Timeout reaction time	t_{TOR}	5	10	30	ms	–

Receive Output RxD

Output leakage current	I_{RxDLK}	–2	0	10	μA	$V_{\text{RxD}} = 5\text{ V}$
Output low voltage level	V_{RxDL}	–	0.2	0.4	V	$I_{\text{RxDL}} = 2\text{ mA}$
Falltime	t_{FRxD}	–	80	200	ns	$C_{\text{RxD}} = 25\text{ pF to GND}$

5.5 V < V_{batt} < 16 V; 4.75 V < V_{CC} < 5.25 V; $-40\text{ }^{\circ}\text{C} < T_{\text{J}} < 150\text{ }^{\circ}\text{C}$; M0 = M1 = H; $R_{\text{UL}} = 9.1\text{ k}\Omega$ (connected between CANH and LOAD); $R_{\text{RSL}} = 39\text{ k}\Omega$; all voltages with respect to ground; positive current defined flowing into pin; unless otherwise specified

Parameter	Symbol	Limit Values			Unit	Test Condition
		min.	typ.	max.		

Mode Input M0 and M1

H-input voltage threshold	$V_{\text{M0,1H}}$	–	2.6	$0.7 \times V_{\text{CC}}$	V	–
L-input voltage threshold	$V_{\text{M0,1L}}$	$0.3 \times V_{\text{CC}}$	2.4	–	V	–
Hysteresis of input voltage	$V_{\text{M0,1HY}}$	50	200	500	mV	–
Pull down current	$I_{\text{M0,1}}$	5	20	50	μA	$1\text{ V} < V_{\text{M0,1}} < 5\text{ V}$

Mode Change Delaytimes

Normal to high-speed	t_{DNH}	–	5	30	μs	M1 H to L; (guaranteed by design)
Normal to wakeup call	t_{DNW}	–	5	30	μs	M0 H to L (guaranteed by design)
Normal to sleep	t_{DNS}	–	5	500	μs	M0 and M1 H to L (guaranteed by design)
Sleep to normal	t_{DSN}	–	5	50	μs	M0 and M1 L to H (guaranteed by design)

Slewrate Input RSL

Output voltage	V_{RSL}	2.5	3	3.5	V	$I_{\text{RSL}} = 100\text{ }\mu\text{A}$
----------------	------------------	-----	---	-----	---	---

5.5 V < V_{batt} < 16 V; 4.75 V < V_{CC} < 5.25 V; $-40\text{ }^{\circ}\text{C} < T_j < 150\text{ }^{\circ}\text{C}$; $M0 = M1 = H$; $R_{\text{UL}} = 9.1\text{ k}\Omega$ (connected between CANH and LOAD); $R_{\text{RSL}} = 39\text{ k}\Omega$; all voltages with respect to ground; positive current defined flowing into pin; unless otherwise specified

Parameter	Symbol	Limit Values			Unit	Test Condition
		min.	typ.	max.		

CANH as Bus Input / Receiver

Wake up offset threshold	V_{IHWUO}	$V_{\text{batt}} - 4.30$	–	$V_{\text{batt}} - 3.25$	V	$V_{\text{batt}} = 8\text{ V}$ see note; see Figure 8
Wake up fixed threshold	V_{IHWUF}	6.15	7.1	8.10	V	$V_{\text{batt}} = 14\text{ V}$ see note; see Figure 8
Wakeup dead time	t_{DWU}	10	21	50	μs	–
Wakeup minimal pulse time	t_{WUMIN}	1	5	10	μs	–
Receive threshold; in normal, high-speed and wake-up mode	V_{IH}	1.8	2	2.2	V	$6\text{ V} < V_{\text{batt}} < 16\text{ V}$
Receive hysteresis	V_{RHY}	50	80	200	mV	–
Receive propagation time	t_{CRF}	0.05	0.3	1	μs	$V_{\text{CANH}} > (V_{\text{IH}} + 0.8\text{ V})$ to $\text{RxD} = \text{L}$; $6\text{ V} < V_{\text{batt}} < 16\text{ V}$
Receive propagation time; high speed	t_{CRF}	0.05	0.25	0.5	μs	$V_{\text{CANH}} > (V_{\text{IH}} + 0.8\text{ V})$ to $\text{RxD} = \text{L}$; $M1 = \text{L}$; $6\text{ V} < V_{\text{batt}} < 16\text{ V}$; $T_j < 125\text{ }^{\circ}\text{C}$
Receive propagation time	t_{CRR}	0.05	0.3	1	μs	$V_{\text{CANH}} < (V_{\text{IH}} - 0.8\text{ V})$ to $\text{RxD} = \text{H}$; $R_{\text{RxD}} = 2.4\text{ k}\Omega$ $6\text{ V} < V_{\text{batt}} < 16\text{ V}$
Receive propagation time; high speed	t_{CRR}	0.05	0.25	0.5	μs	$V_{\text{CANH}} < (V_{\text{IH}} - 0.8\text{ V})$ to $\text{RxD} = \text{H}$; $R_{\text{RxD}} = 2.4\text{ k}\Omega$ $M1 = \text{L}$; $6\text{ V} < V_{\text{batt}} < 16\text{ V}$; $T_j < 125\text{ }^{\circ}\text{C}$
Receive blanking time after CANH H to L transition	t_{CRB}	1.5	3.0	5.0	μs	see Figure 7

Note: The device will send a wake up call to the microcontroller at the minimum of V_{IHWUO} or V_{IHWUF} .

5.5 V < V_{batt} < 16 V; 4.75 V < V_{CC} < 5.25 V; $-40\text{ }^{\circ}\text{C} < T_j < 150\text{ }^{\circ}\text{C}$; $M0 = M1 = H$;
 $R_{\text{UL}} = 9.1\text{ k}\Omega$ (connected between CANH and LOAD); $R_{\text{RSL}} = 39\text{ k}\Omega$; all voltages with respect to ground; positive current defined flowing into pin; unless otherwise specified

Parameter	Symbol	Limit Values			Unit	Test Condition
		min.	typ.	max.		

CANH as Bus Output / Transmitter

Offset wakeup output high voltage	V_{OHWUO}	$V_{\text{batt}} - 1.5$	–	V_{batt}	V	$220\text{ }\Omega < R_{\text{UL}} < 9.1\text{ k}\Omega$; TxD = L; $M0 = L$; $6\text{ V} < V_{\text{batt}} < V_{\text{OHWUF}}$
Fixed wakeup output high voltage	V_{OHWUF}	9.7	–	12	V	$220\text{ }\Omega < R_{\text{UL}} < 9.1\text{ k}\Omega$ TxD = L; $M0 = L$ $V_{\text{OHWUF}} < V_{\text{batt}} < 16\text{ V}$
Bus output high voltage; normal and high speed	V_{OH}	3.60	4.0	4.55	V	$100\text{ }\Omega < R_{\text{UL}} < 9.1\text{ k}\Omega$ TxD = L; $6\text{ V} < V_{\text{batt}} < 16\text{ V}$
Bus output current limit	I_{OLI}	200	250	350	mA	TxD = L; $V_{\text{CANH}} = 0\text{ V}$
Bus output leakage current	I_{OLK}	– 10	–	200	μA	TxD = H; $T_j < 125\text{ }^{\circ}\text{C}$; $V_{\text{batt}} - 28\text{ V} < V_{\text{CANH}} < V_{\text{batt}} - 1\text{ V}$
Bus output leakage current (loss of ground)	I_{OLK}	– 50	–	200	μA	$0\text{ V} < V_{\text{batt}} < V_{\text{UOFF}}$; $V_{\text{batt}} - 28\text{ V} < V_{\text{CANH}} < V_{\text{batt}} - 1\text{ V}$
Slew rate rising edge, normal mode	S_{CANH}	–	2.0	–	V/ μs	$20\% < V_{\text{CANH}} < 80\%$
Slew rate rising edge, wake-up mode	S_{CANH}	–	4.0	–	V/ μs	$20\% < V_{\text{CANH}} < 80\%$ $M0 = L$; $V_{\text{batt}} = 12\text{ V}$
Slew rate rising edge; high speed;	S_{CANH}	5	16	25	V/ μs	$20\% < V_{\text{CANH}} < 80\%$ $M1 = L$; $T_j < 125\text{ }^{\circ}\text{C}$
Transmit propagation time; normal mode	t_{TCF}	2	5	6	μs	TxD = (H to L) to $V_{\text{CANH}} = (V_{\text{IH}} + 0.8\text{ V})$ $1.0\text{ }\mu\text{s} < \tau < 3.6\text{ }\mu\text{s}$;
Transmit propagation time; wake-up mode	t_{TCF}	1	5	4	μs	TxD = (H to L) to $V_{\text{CANH}} = (V_{\text{IH}} + 0.8\text{ V})$; $M0 = L$; $V_{\text{batt}} = 12\text{ V}$; $1.0\text{ }\mu\text{s} < \tau < 3.6\text{ }\mu\text{s}$

5.5 V < V_{batt} < 16 V; 4.75 V < V_{CC} < 5.25 V; $-40\text{ }^{\circ}\text{C} < T_j < 150\text{ }^{\circ}\text{C}$; $M0 = M1 = H$;
 $R_{\text{UL}} = 9.1\text{ k}\Omega$ (connected between CANH and LOAD); $R_{\text{RSL}} = 39\text{ k}\Omega$; all voltages with respect to ground; positive current defined flowing into pin; unless otherwise specified

Parameter	Symbol	Limit Values			Unit	Test Condition
		min.	typ.	max.		
Transmit propagation time; high speed mode	t_{TCF}	–	0.5	1.5	μs	TxD = (H to L) to $V_{\text{CANH}} = (V_{\text{IH}} + 0.8\text{ V})$; $M1 = L$; $\tau < 1\text{ }\mu\text{s}$; $T_j < 125\text{ }^{\circ}\text{C}$
Transmit propagation time; normal mode	t_{TCR}	3	5	8	μs	TxD = (L to H) to $V_{\text{CANH}} = (V_{\text{IH}} - 0.8\text{ V})$ $1.0\text{ }\mu\text{s} < \tau < 3.6\text{ }\mu\text{s}$;
Transmit propagation time; wake-up mode	t_{TCR}	3	–	12.7	μs	TxD = (L to H) to $V_{\text{CANH}} = (V_{\text{IH}} - 0.8\text{ V})$; $M0 = L$; $1.0\text{ }\mu\text{s} < \tau < 3.6\text{ }\mu\text{s}$;
Transmit propagation time; high speed	t_{TCRH}	–	–	3.0	μs	TxD = (L to H) to $V_{\text{CANH}} = (V_{\text{IH}} - 0.8\text{ V})$; $M1 = L$; $\tau < 1.6\text{ }\mu\text{s}$; $T_j < 125\text{ }^{\circ}\text{C}$

Unit-Load Resistor Ground Input LOAD

Output low voltage level	V_{LOAD}	–	20	100	mV	$I_{\text{LOAD}} = 2\text{ mA}$; $8\text{ V} < V_{\text{batt}} < 16\text{ V}$
Output leakage current (loss of ground)	I_{LOADLK}	– 50	–	50	μA	$0\text{ V} < V_{\text{bat}} < V_{\text{UVOFF}}$ $T_j < 125\text{ }^{\circ}\text{C}$; $V_{\text{batt}} - 28\text{ V}$ $< V_{\text{CANH}} < V_{\text{batt}} - 1\text{ V}$

10 Diagrams

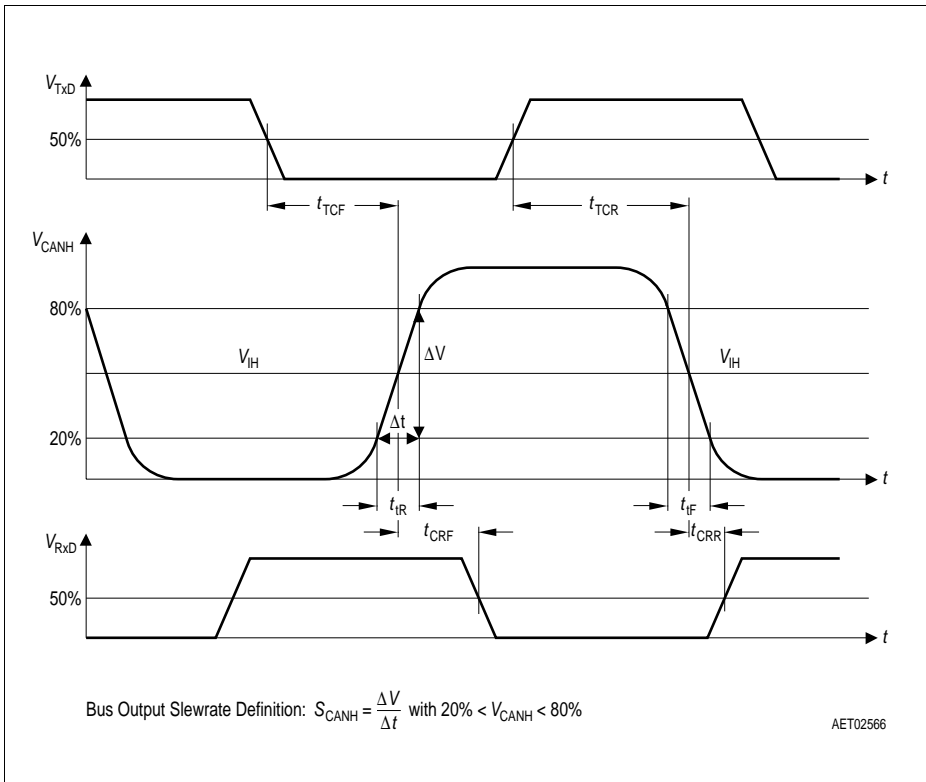


Figure 3 Input/Output-Timing (Pin CANH, TxD and RxD)

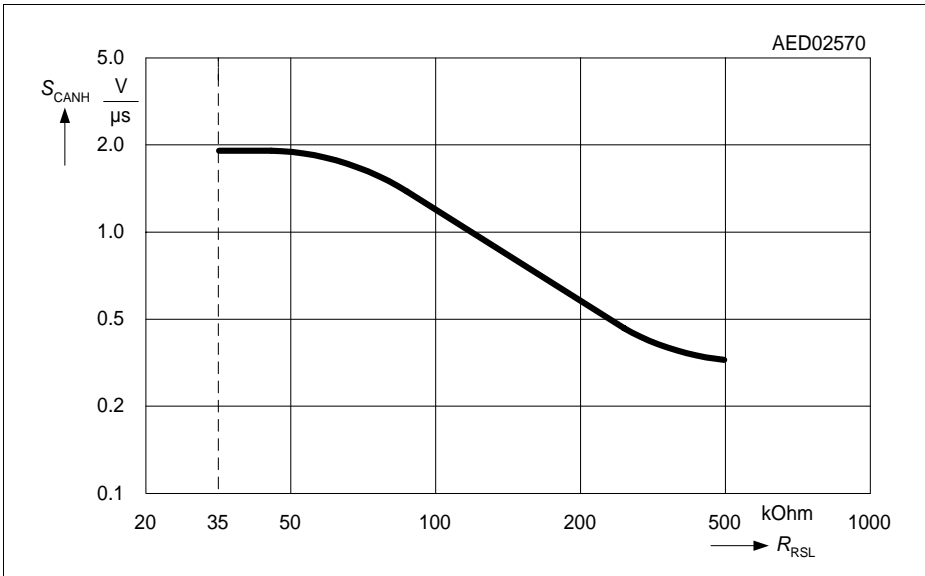


Figure 4 Slewrate S_{CANH} vs. Programming Resistor R_{RSL} (Pin RSL)

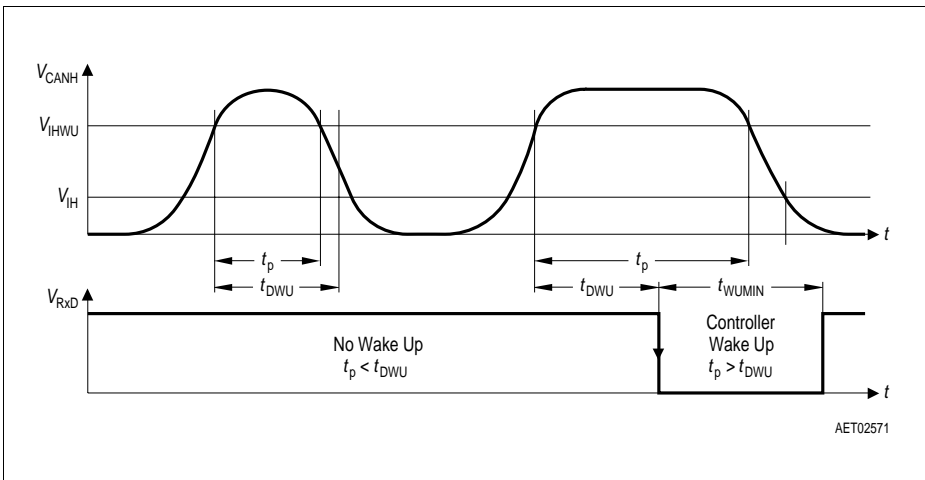


Figure 5 Wakeup Deadtime t_{DWU}

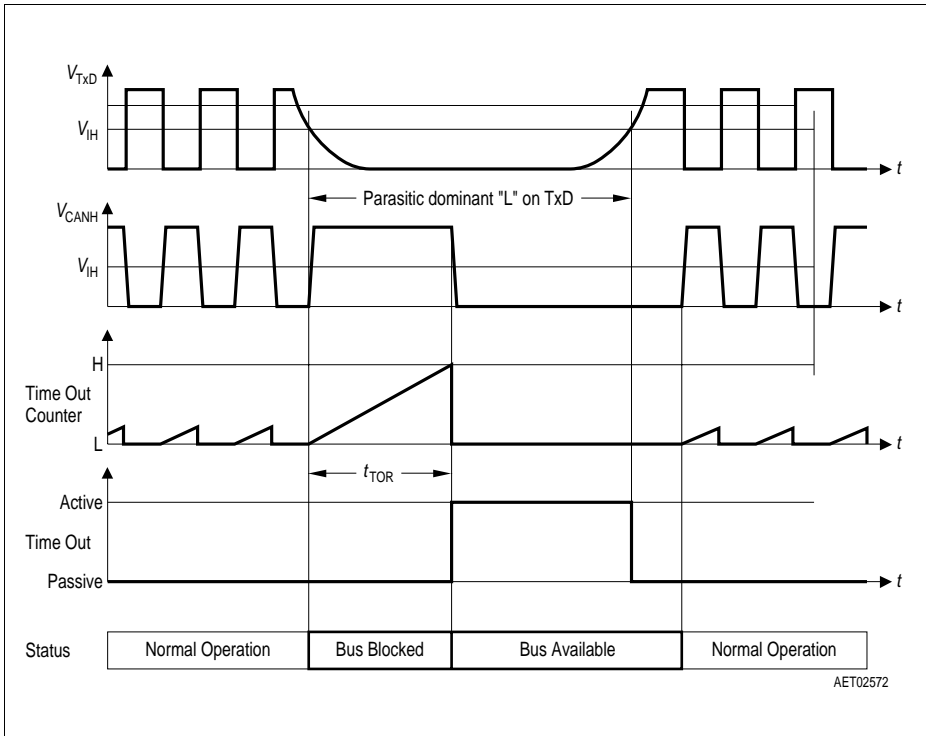
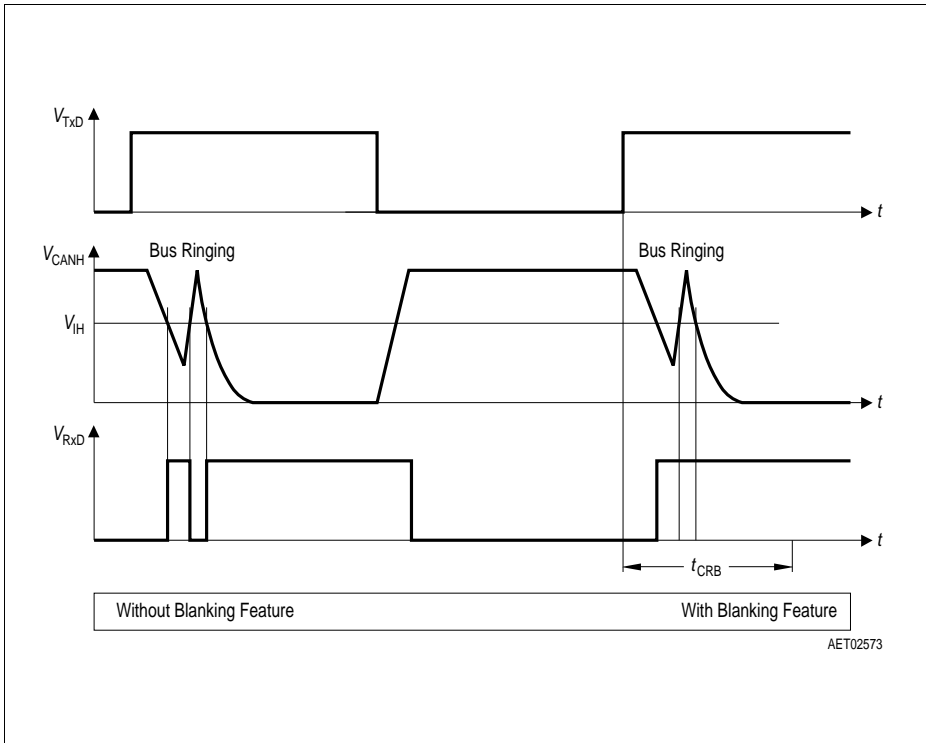


Figure 6 Bus Dominant Blanking Time t_{TOR}



AET02573

Figure 7 Rx D Blanking Time t_{CRB}

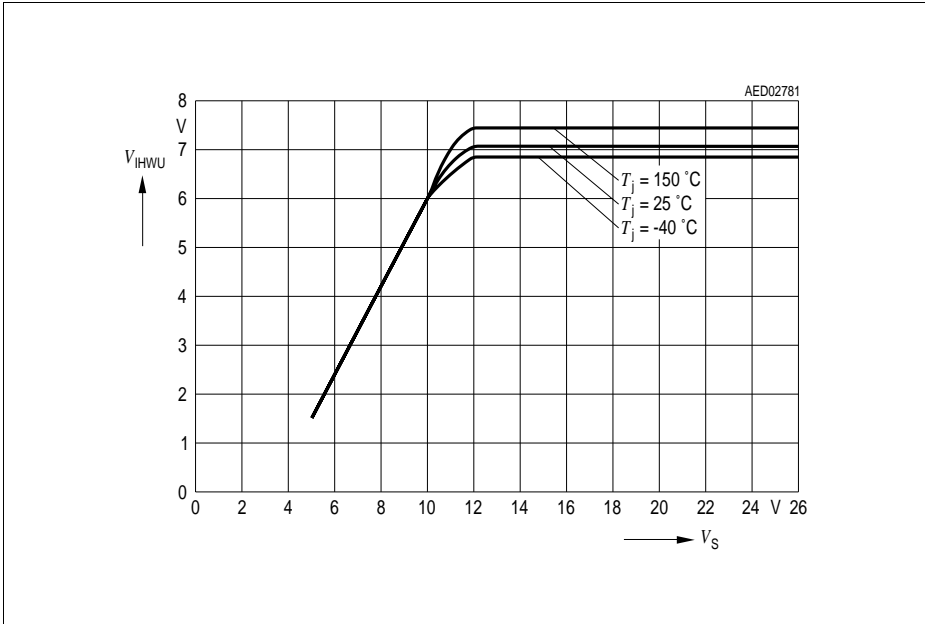


Figure 8 Wake-up Threshold V_{IHWU} vs. Supply Voltage V_S

11 Application Circuit

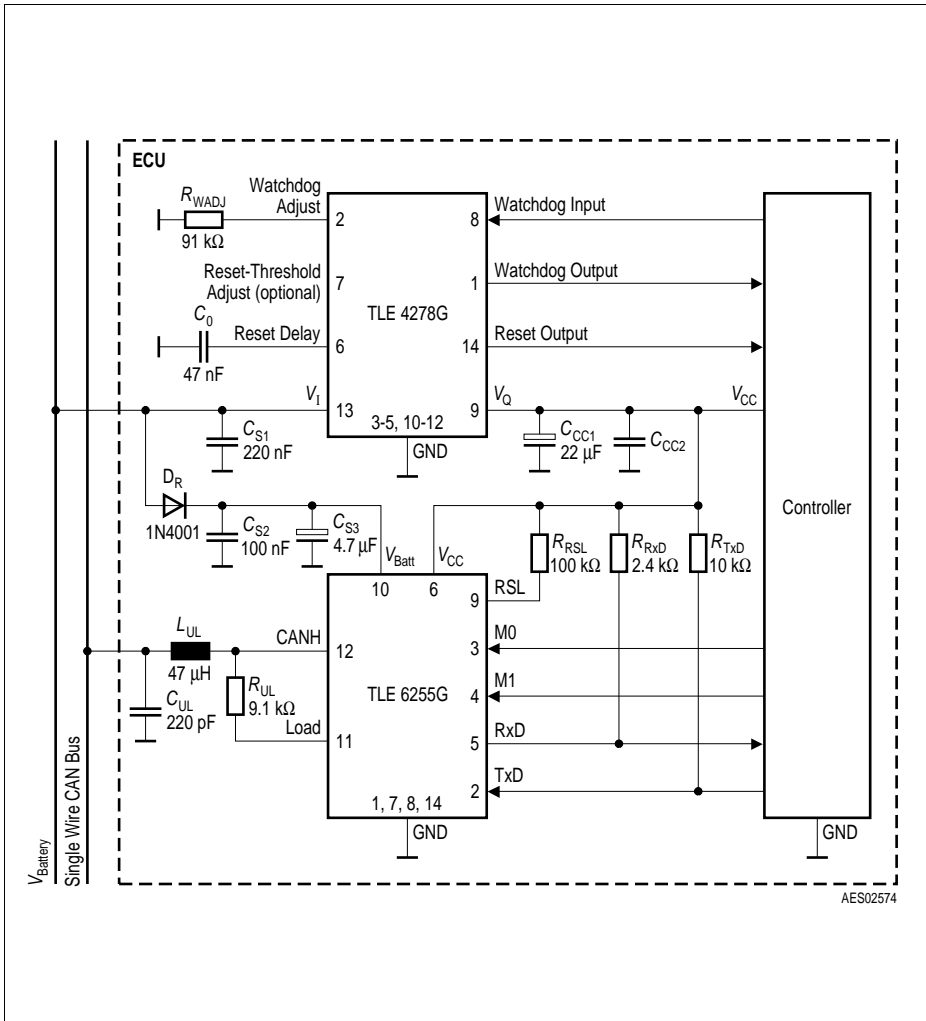
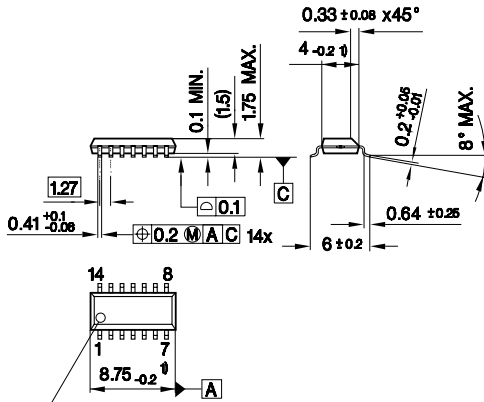


Figure 9 Application Circuit

12 Package Outlines

P-DSO-14-9
(Plastic Dual Small Outline)



Index Marking

1) Does not include plastic or metal protrusion of 0.15 max. per side

GPS09222

Sorts of Packing

Package outlines for tubes, trays etc. are contained in our Data Book "Package Information".

SMD = Surface Mounted Device

Dimensions in mm

Edition 2001-04-09

**Published by Infineon
Technologies AG,
St.-Martin-Strasse 53,
D-81541 München**

**© Infineon Technologies AG 2001.
All Rights Reserved.**

Attention please!

The information herein is given to describe certain components and shall not be considered as warranted characteristics.

Terms of delivery and rights to technical change reserved.

We hereby disclaim any and all warranties, including but not limited to warranties of non-infringement, regarding circuits, descriptions and charts stated herein.

Infineon Technologies is an approved CECC manufacturer.

Information

For further information on technology, delivery terms and conditions and prices please contact your nearest Infineon Technologies Office in Germany or our Infineon Technologies Representatives worldwide (see address list).

Warnings

Due to technical requirements components may contain dangerous substances. For information on the types in question please contact your nearest Infineon Technologies Office.

Infineon Technologies Components may only be used in life-support devices or systems with the express written approval of Infineon Technologies, if a failure of such components can reasonably be expected to cause the failure of that life-support device or system, or to affect the safety or effectiveness of that device or system. Life support devices or systems are intended to be implanted in the human body, or to support and/or maintain and sustain and/or protect