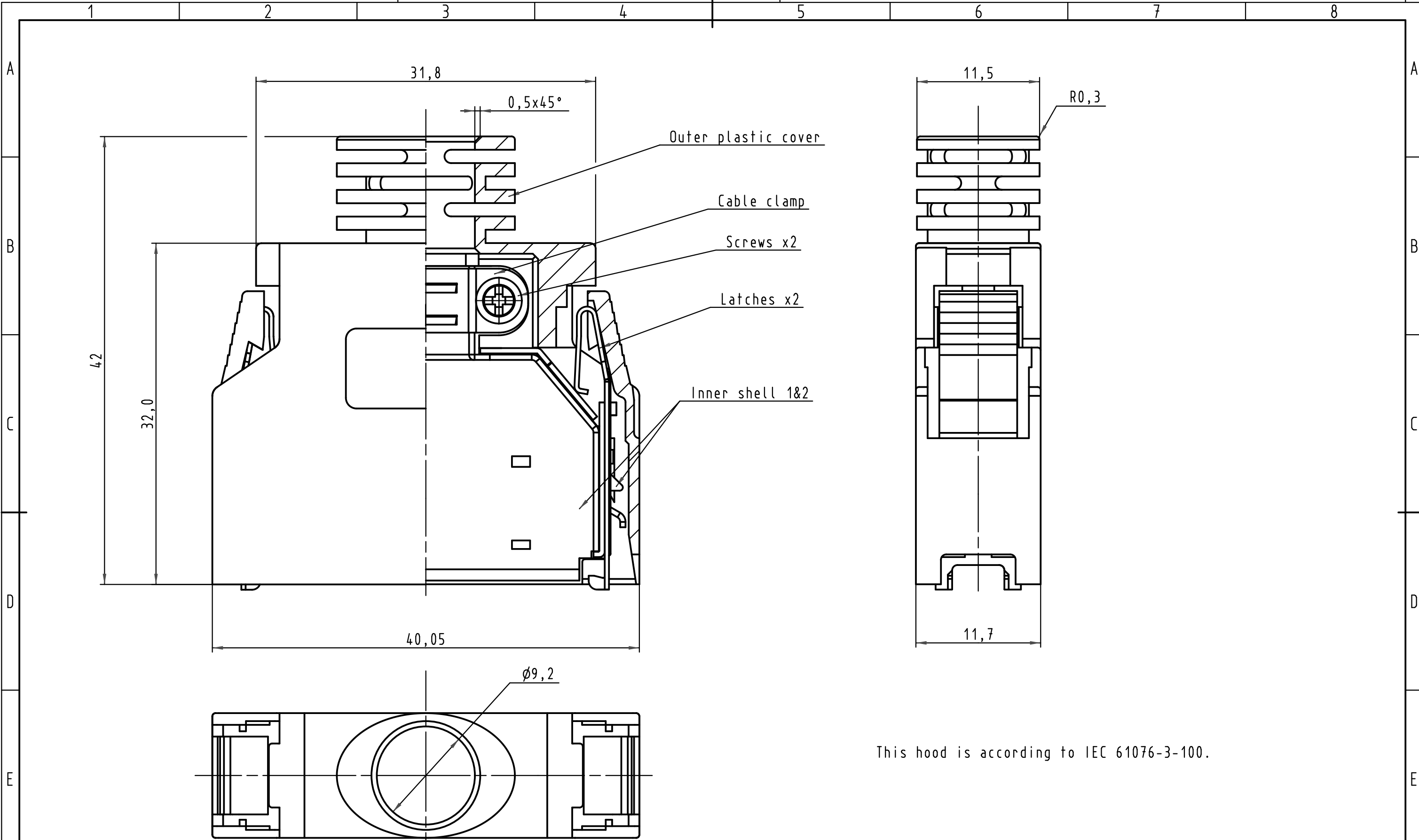


All rights reserved



This hood is according to IEC 61076-3-100.

60 13 036 0153 580	Packaging per 500pcs	+85°C
60 13 036 0153 351	Packaging per 50pcs	+85°C
Part number	index designation	T°material

	All Dimensions in mm Original Size DIN A 3			Techn. Character.		Free size tolerances		
		Dat.	Name	Scale	<i>har.mik</i> [®] I/O pin/socket 36 poles plastic hood with metal insert for IDC male bellow connector			
		Detail.	11-JULY-08					2 : 1
		Insp.						
	Stand.							
31787	11-JULY-08	KL	Zhuhai Harting Limited		TB60 13 036 0153 351		Page	
Mod.	Dat.	Name			Sub.		1 / 1	