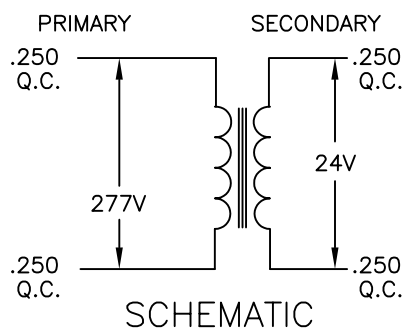
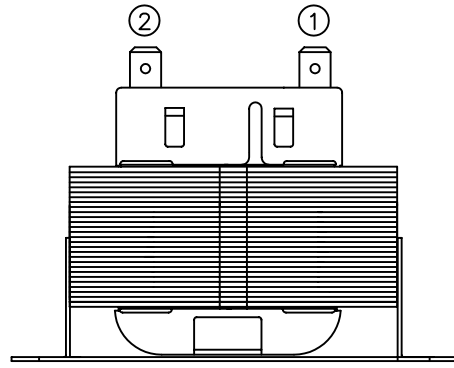
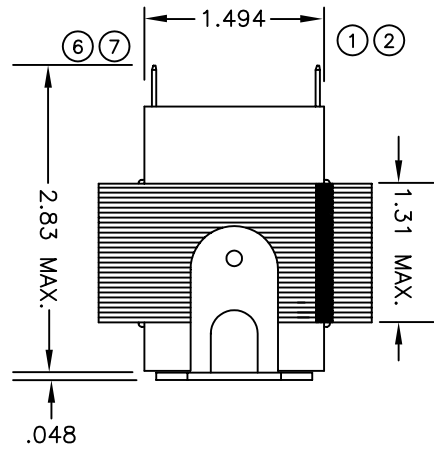
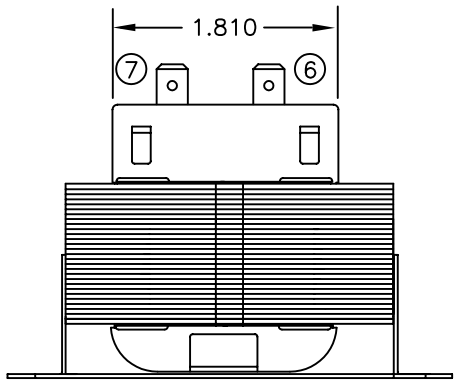


PRIMARY						SECONDARY				
TERM NO.	1	2	3	4	5	TERM NO.	6	7	8	9
VOLTAGE	COM	277				VOLTAGE	24	VAC		
TERMINAL WIDTH	.250	.250				TERMINAL WIDTH	.250	.250		
TERMINAL THICKNESS	.032	.032				TERMINAL THICKNESS	.032	.032		

NOTES  
 1. DIMENSIONS FOR REFERENCE ONLY.  
 2. WINDING PROTECTION-INHERENTLY LIMITING

CERTIFICATION:UL/CUL FILE NO E87824



TYCO PART NUMBER  
 4-1672013-0

THIS DRAWING IS A CONTROLLED DOCUMENT.		DWN K.H.	05OCT04	Tyco Electronics Corporation Harrisburg, PA 17105-3608
DIMENSIONS: INCHES		CHK -	APVD DH	
		PRODUCT SPEC -		TRANSFORMER OUTLINE P.U. EXPORT
TOLERANCES UNLESS OTHERWISE SPECIFIED:		APPLICATION SPEC -		
MATERIAL -		WEIGHT -		RESTRICTED TO
FINISH -		CUSTOMER DRAWING		SIZE A3
		SCALE NTS		CAGE CODE 00779
		SHEET 1 OF 1		DRAWING NO C=4000-03AW18AE777
		REV 0		