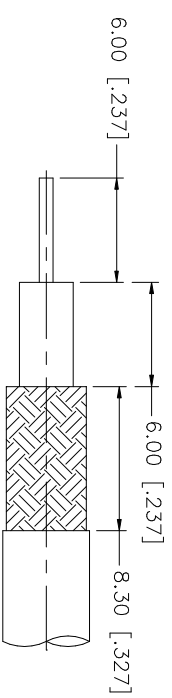
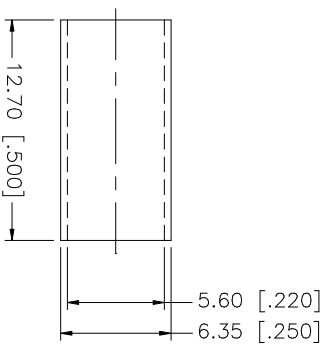
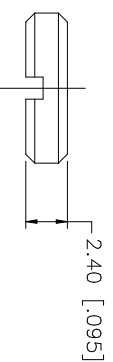
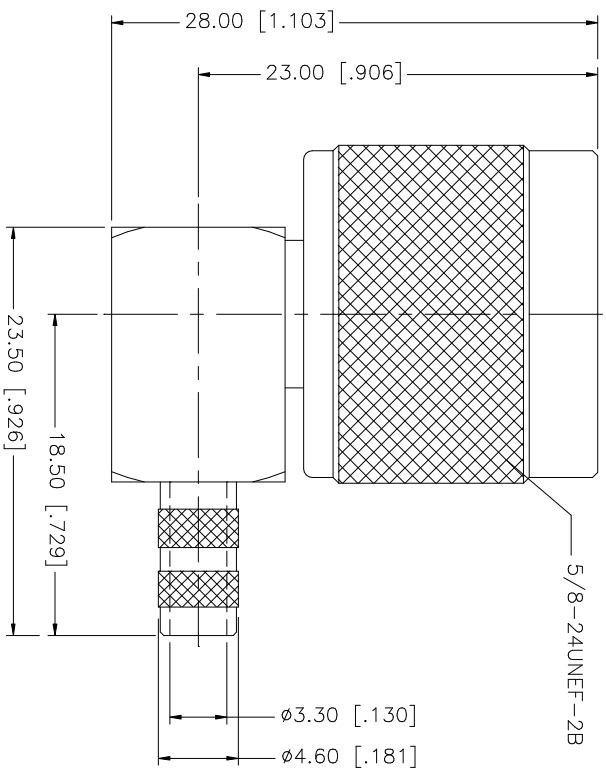


REV.	DATE	DESCRIPTION
NC	08/23/99	INITIAL RELEASE
A	11/26/05	UPDATE DRAWING FORMAT



RECOMMENDED
CABLE STRIPPING DIM'S

NO.	DESCRIPTION	MATERIAL	FINISH	QTY	UNLESS OTHERWISE SPECIFIED DIMENSIONS ARE IN MILLIMETERS (IN PARENTHESES) AND FOR STRIPPER RESERVE ONLY. TOLERANCES FOR MILLIMETERS ARE:	APPROVALS	DATE	PART DESCRIPTION	
8					0.5 - 8mm ± 0.20mm	DRAWN	11/26/05	Amphenol Connex N R/A CRIMP PLUG (FOR LMR200) 172215	
7					8 - 30mm ± 0.40mm	G.R.S.			
6					30 - 120mm ± 0.50mm	CHECKED			
5	FERRULE	COPPER	NICKEL	1	UNLESS OTHERWISE SPECIFIED TOLERANCES FOR INCHES ARE:	ISSUED			
4	CONTACT PIN	BRASS	GOLD	1	.020 - .315 = ± 0.007"	SHEET	1 OF 1		
3	INSULATOR	TEFLON	NATURAL	1	.315 - 1.180 = ± 0.015"	CADD FILE			
2	BODY	BRASS	NICKEL	1	1.180 - 4.724 = ± 0.020"	C:/172/172215.DWG			
1	DESCRIPTION	MATERIAL	FINISH	QTY	DO NOT SCALE DRAWING	DWG. NO.	REV. A		SIZE A