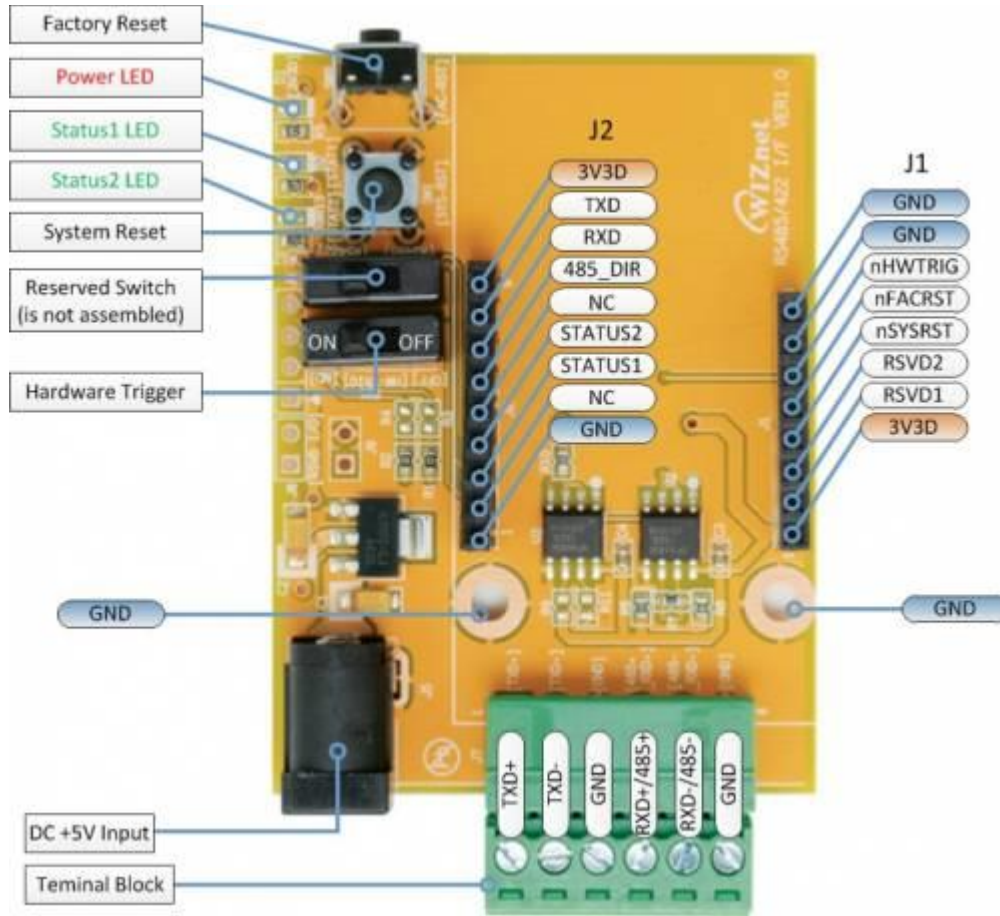


# WIZ550S2E-485/422 Interface board

- Line Driver SP3485EN
- System Reset Switch
- Factory Reset Switch
- Hardware-Trigger Mode Switch
- Status LEDs
- DC-Jack (for +5V Input Power)



## Input Power

Current Consumption(connected with WIZ550S2E)

## Operating Temperature

DC +5V (Plug type:  
Outdiameter 5.5Pi - Caliber  
2.1Pi)

179mA(Max.)@RS422Mode,  
157mA(Max.)@RS485Mode

-40 ~ 85 °C

**Item**      **Version**   **Schematic(PDF)**   **Schematic(CAD)**

WIZ550S2E-  
485/422  
interface  
board

1.0

[rs485-  
422if\\_v1\\_0.pdf](#)

[rs485-  
422if\\_v1\\_0.zip](#)

## Dimension

(Unit: mm)

