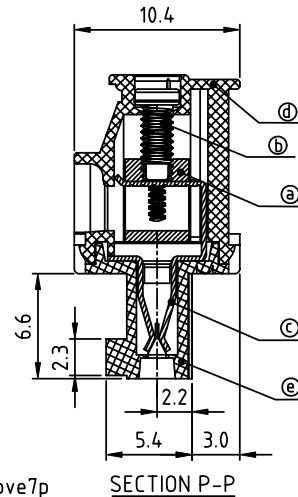
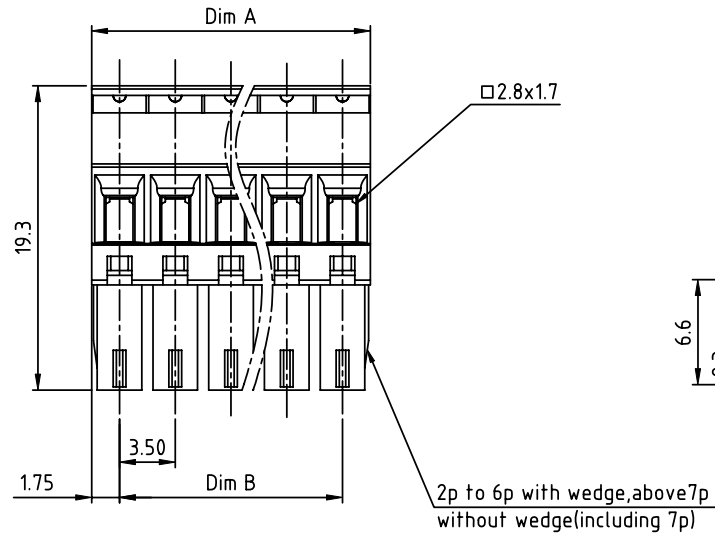
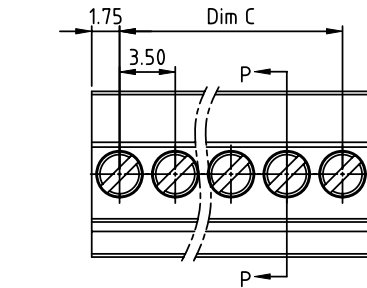


PRODUCT NUMBER	PITCH
TSxx11xA00J0G	3.50 mm



Material

- Item (a) Terminal body (metal housing): Brass (CuZn), Nickel plated
- Item (b) Terminal screw: Steel Zinc plating "-" slot type
- Item (c) Wire guard: PhBz, Tin plated
- Item (d) Top body: Thermoplastic (UL94V-0)
- Item (e) Bottom body: Thermoplastic (UL94V-0)

Electrical cULus/VDE

- Voltage rating: 300VAC/300VAC
- Current rating: 8A/10A
- Wire range: 1.5mm²
- Solid wire (AWG): 16-28
- Stranded wire (AWG): 16-28
- Torque: 1.7Lb-In./0.2Nm
- Screw: M2
- Wire strip length: 6-7mm
- Withstanding Voltage: 1.6KV/2.5KV
- Operating temperature: -40°C to +115°C
- Safety approval:

DIMENSION

Dim A	NX3.5
Dim B	(N-1)X3.5
Dim C	(N-1)X3.5

N = Number of poles

Poles	Tolerance
2P-8P	±0.10
9P-16P	±0.20
17P-24P	±0.30

PART NO.: TS xx 11 x A 00J0 G

- | | | | | | |
|--|--------------|----------|-----------------|--------------------|--|
| | Solid block | 0 | Black (RAL9005) | | |
| | No. of poles | 2 | Red (RAL3001/D) | | |
| | 02 | 2 poles | 3 | Orange (RAL2011/P) | |
| | 03 | 3 poles | 4 | Yellow (RAL1018/A) | |
| | ... | ... | 5 | Green (RAL6018/T) | |
| | 24 | 24 poles | 6 | Blue (RAL5015/A) | |
| | | | 8 | Grey (RAL7035/D) | |
| | | | 9 | White (RAL1102) | |
| | | | C | Green (RAL6018/U) | |
- RoHS compliant (lead < 4%)
In copper Alloy

mat'l. code		surface ASME Y14.5 ✓	tolerance ASME Y14.5	projection 	product family TERMINAL BLOCK
ltr	ecn no	dr	date	tolerances unless otherwise specified	title TERMINAL BLOCK
				angles 	PLUGGABLE PLUG, HOOK ON ENTRY SIDE, WITHOUT FLANGE
				X ± 1°	scale MM
		dr	EVIN ZHONG	041814	dwg no sheet 1 of 1 size
		enr	EVIN ZHONG	041814	TSxx11xA00J0G
		chr	HANKE FENG	041814	A4
		appd	SHI JUN	041814	type CUSTOMER Drawing
sheet index	revision	A			
	sheet	1			