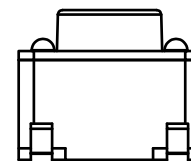
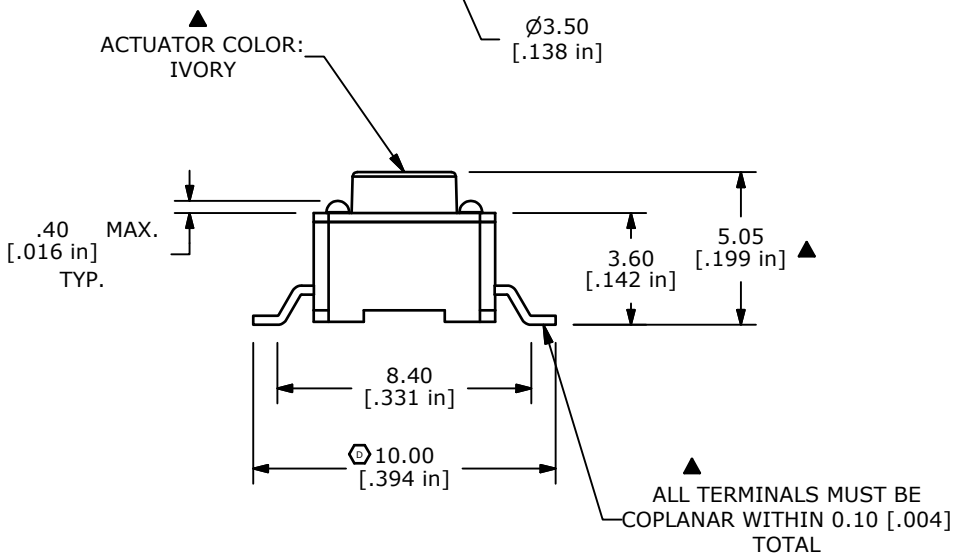
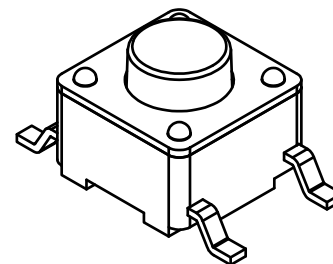
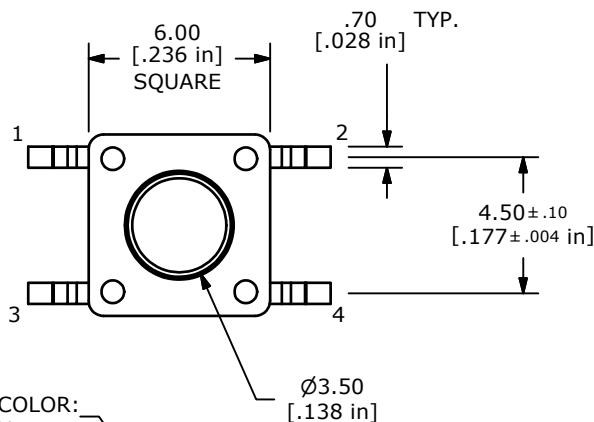


NOTES:

1. ALL DIMENSIONS IN MM
2. GENERAL TOLERANCE: X.X=±0.4
X.XX=±0.25
3. TERM. NOS. FOR REFERENCE ONLY.
4. RATING: 50VDC, 50mA
- ▲ 5. OPERATING FORCE: 260 ± 50 gms
6. TRAVEL: 0.25mm +0.2/-0.1MM
7. CONTACT RESISTANCE: 100 MILLI OHMS MAX. (INITIAL)
8. MECHANICAL/ELECTRICAL LIFE 100,000 CYCLES MIN.
- ▲ 9. SILVER CONTACTS
- ▲ 10. PACKAGE: TAPE AND REEL, 1200 PIECES PER REEL
11. ▲DENOTES CRITICAL PARAMETER



E-SWITCH®

D	21616	CHANGED DIM. FROM 9.20 TO 10	10/14/14	AS
C	20773	REVISED AND REDRAWN	9/25/12	rc
REV	PCR NO	DESCRIPTION	DATE	BY

TITLE TL3301AF260QG				
SCALE	DATE	DR	DWG	REV
4:1	9/25/2012	rc	P010513	D

THE INFORMATION CONTAINED IN THIS DOCUMENT IS PROPRIETARY TO E-SWITCH AND IS NOT TO BE COPIED OR TRANSFERRED