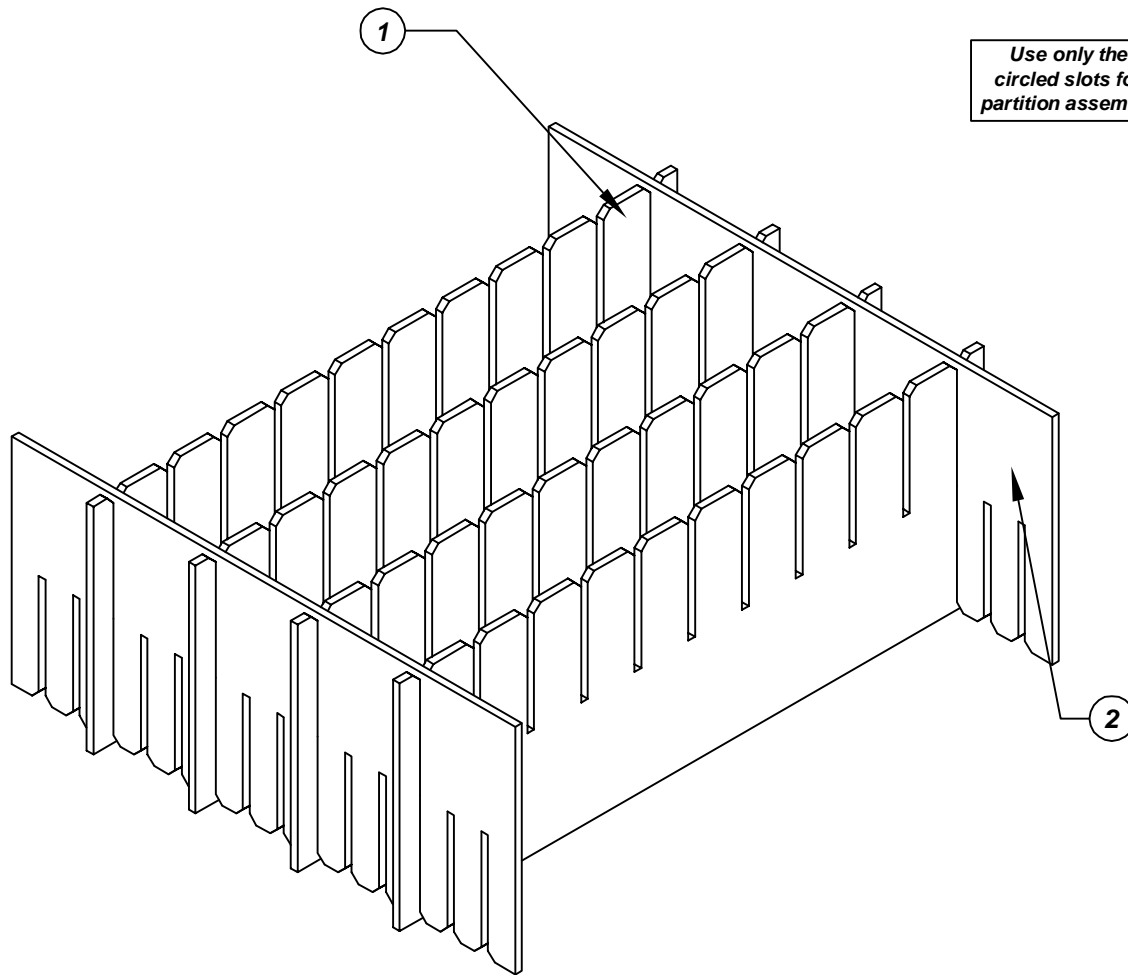
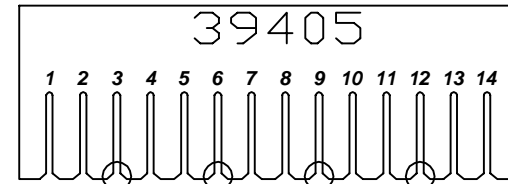


Assembly Instructions for - 38830



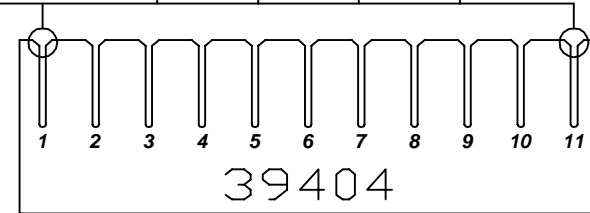
Use only the circled slots for partition assembly

Folded Short Partition

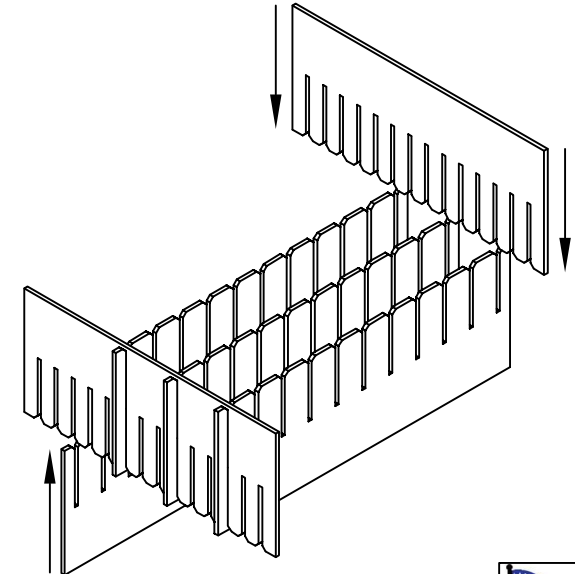


2

Folded Long Partition



1



Made in America

F/N 1	Part # 39404	Dimensions: 16-3/16" x 21-3/4"	Description: Adjustable Long Partition	Qty: 4
F/N 2	Part # 39405	Dimensions: 16-3/16" x 18-3/4"	Description: Adjustable Short Partition	Qty: 2

Notes:
For use with the following storage container & lid:
37532 - Storage Container
37557 - Lid

PROTEKTIVE PAK
13520 MONTE VISTA AVENUE, CHINO, CA 91710
PHONE (909) 627-2578, FAX (909) 363-7331
ProtektivePak.com



DRAWING NUMBER
IPH-38830

DATE
Dec. 2007

38830 - 5 Cell Inplant Handler
Cell Size - 8" x 19-3/4" x 3-1/2"