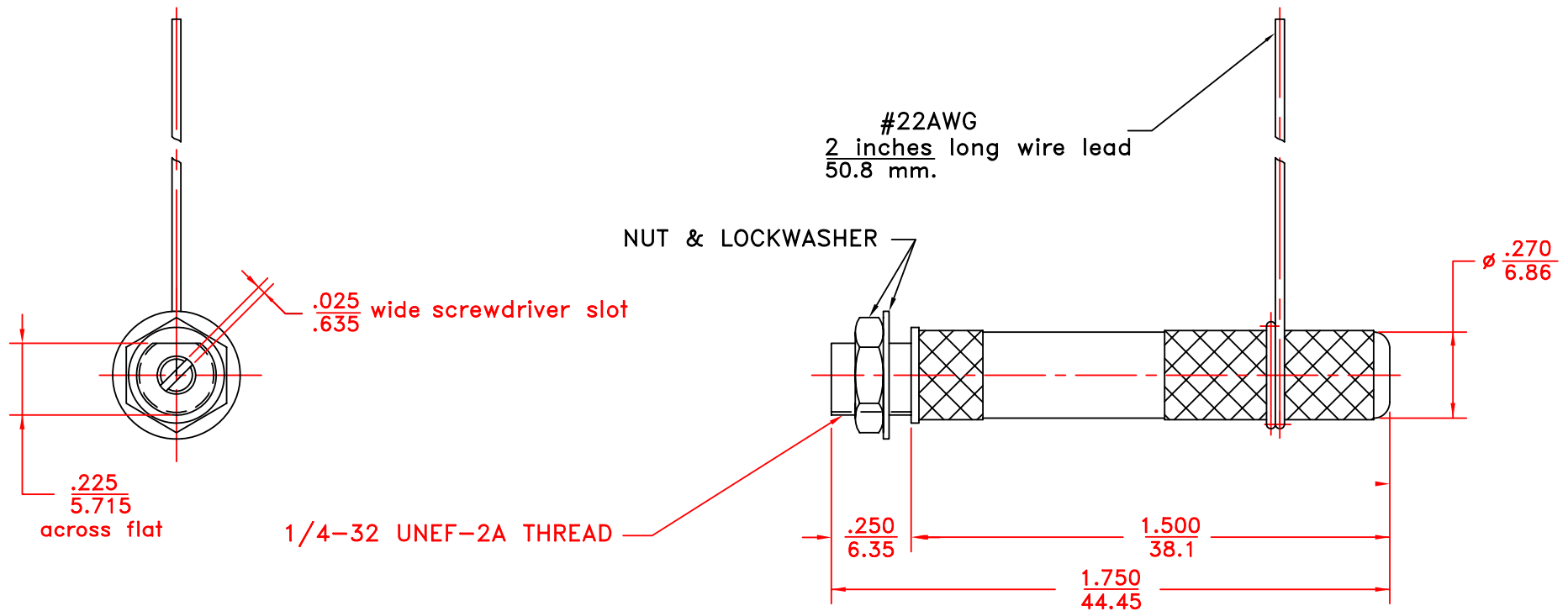


REV	DESCRIPTION	DATE	APP
00	NEW DRAWING	06/08/14	D.D.



**NOTES:**

1. Capacitance:  $C_{max} \geq 10\text{pF}$
2. Capacitance:  $C_{min} \leq 1.0\text{ pF}$
3. Working voltage: 8.0 kVDC
4. Withstanding voltage: 16 kVDC
5. Quality factor "Q" @ 25 MHz over 1500
6. Torque .5 to 1.0 oz-in
7. Construction: 40 psi sealed, non-magnetic
8. Dimensions: in/mm
9. Operation temperature:  $-55^{\circ}\text{C}$  up to  $125^{\circ}\text{C}$ .
10. TC Temperature coefficient  $0 \pm 300$  (ppm/ $^{\circ}\text{C}$ )
11. Current rating: 10 amps.
12. Rotational life: 10,000 turns.

TOLERANCES: (EXCEPT AS NOTED)		SPRAGUE GOODMAN ELECTRONICS INC. 1700 SHAMES DRIVE WESTBURY, NY 11590	
DECIMAL: $\pm 0.002$ in $\pm 0.051$ mm	MATERIAL:	SCALE: 2:1	DRAWN BY: R. LEVIN
FRACTIONAL: 1/64	TITLE: OUTLINE DWG SGNMNC1108		APPROVED: D. DITLYA
ANGULAR: 1°	DATE: 06/08/14	DRAWING NUMBER SGNMNC1108	USED FOR: REV. 00