

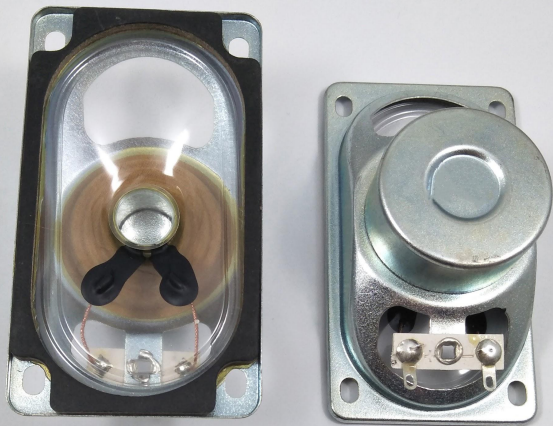


soberton inc.

WSP WATER RESISTANT SPEAKER

Acoustic Product Specification

Product Number: WSP-5090-04



Release | Revision: A/2018

CONTENTS

This document contains the technical specifications for the water resistant speaker

Page 1

Specifications

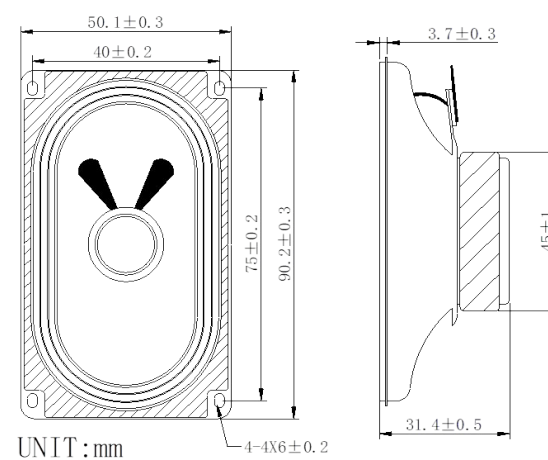
Dimensions

Frequency Response

Specifications

Specification	Unit	WSP-5090-04
AC Impedance	Ω	4±15% at 1000Hz
Rated Input Power	Watt	10.0
Max Input Power	Watt	12.0
Resonant Frequency	Hz	270
Frequency Range	Hz	F0~20kHz, average SPL±10dB
Output Sound Pressure Level	dB	96±3dB 1.0Watt/1.0Meter, AVG. at 0.8, 1.0, 1.2, 1.5kHz
Operating Temperature	°C	-20°C ~ +50°C
Storage Temperature	°C	-40°C ~ +60°C
Dimension	mm	50.1 x 90.2 x H31.4
Distortion		3% maximum at 1000Hz, 10.0W
Polarity		Diaphragm shall move forward when a positive DC current is applied to the "+" or "Marked" terminal
Load Test		Audio Signal Generator at 6.32 Volt Total 48hrs and 20Hz ~ 20kHz resonant frequency
Abnormal Sound Test		Must be normal tested at 6.32 Volt sine wave
Ingress Rating		IP65

Dimensions



Frequency Response

